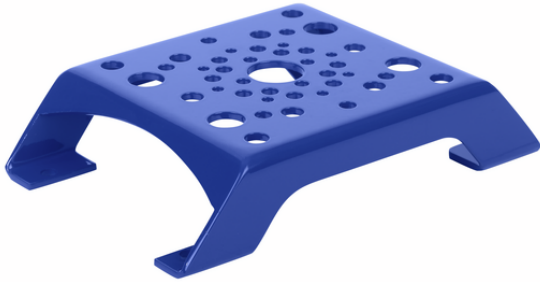


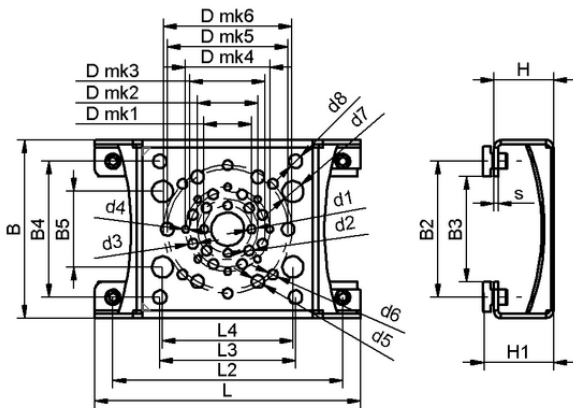
Art.-Nr.: 10.01.38.01647



MOD-FLAN 176.6x118 FXP

Technical data

Utilization design	Vacuum area gripping system FXP
Length L	176.60 mm
Width B	118.00 mm
Height H	40.00 mm



Design data

Length L2	152.50 mm
Length L	176.60 mm
Width B2	90.00 mm
Width B	118.00 mm
Height H	40.00 mm
Internal diameter d1	5.5 mm
d2	6.5 mm
Hole size d3	6.5 mm
Length L3	90.00 mm
Length L4	90.20 mm
Width B3	70.00 mm
Width B4	90.00 mm
Hole size d4	4.5 mm
Pitch diameter D mk1	31.5 mm
Pitch diameter D mk2	40.0 mm
Pitch diameter D mk3	50.0 mm
Pitch diameter D mk4	56.0 mm
Hole size d5	8.5 mm
Inside / bore diameter d6	6.5 mm
Width B5	50.00 mm

Design data MOD-FLAN 176.6x118 FXP