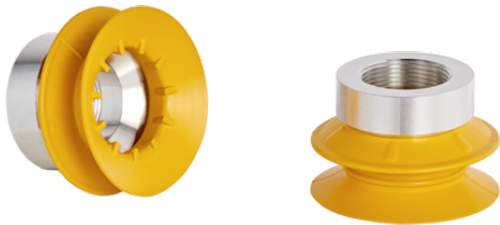


Suction cup (round)

SAUG-SCGS 40 NBR-ESD-55



Art.-Nr.: 10.01.30.00914



Technical data

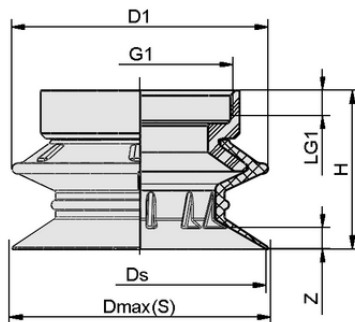
Suction cup material	Nitrile rubber NBR-ESD
Material hardness [Shore A]	55.0 Shore A
Size	40.00

SAUG-SCGS 40 NBR-ESD-55

The flow gripper SCGS is constructed in two parts. To obtain a complete gripper (flow gripper + suction cup), the following ordering steps are necessary:

- Flow gripper (step1) – available for sideways mounting
- Suction cup (step 2)

Available accessories: screw in push fitting



Design data

Height H	27.80 mm
Outside diameter D1	41.0 mm
Nominal diameter dn	18.90 mm
Thread G1	M20x1-F
Thread length LG1	5.0 mm
Spring stroke Z	3.7 mm
Diameter Ds	40.5 mm
Diameter Dmax(S)	41.5 mm
Diameter Dmax(N)	25.0 mm

Design data SAUG-SCGS 40 NBR-ESD-55



WWW.SCHMALZ.COM/10.01.30.00914

1

Suction cup (round)

SAUG-SCGS 40 NBR-ESD-55



Art.-Nr.: 10.01.30.00914



Technical data

Suction cup material	Nitrile rubber NBR-ESD
Material hardness [Shore A]	55.0 Shore A
Weight	21.20 g
Size	40.00
Product family	SAUG-SCGS



31.12.2025

10.01.30.01093 SAUG-SCGS 40 NBR-ESD-55 B



Ordering Data Spare Parts 10.01.30.00914

Typ		Item number
Flat suction cup (round)	FLSA 40 NBR-ESD-55	10.01.06.04390



WWW.SCHMALZ.COM/10.01.30.00914