

Bell suction cup (round)

SAX 100 ED-85 M16-AG



Art.-Nr.: 10.01.19.00378

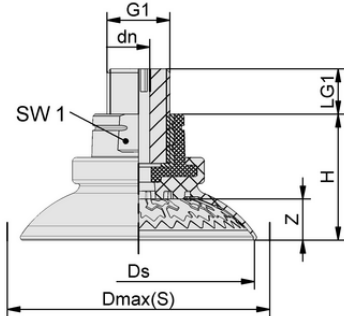


Technical data

Attribute	Value
Suction cup material	Elastodur ED
Material hardness [Shore A]	85.0 Shore A
Size	100.00
Number of folds	0.0
Connection	M16-M

SAX 100 ED-85 M16-AG

Suction cup SAX, available in various diameters, is delivered with connection nipple vulcanized to elastomer part.



Design data

Attribute	Value
Height H	39.70 mm
Nominal diameter dn	6.10 mm
Thread G1	M16-M
Thread length LG1	12.0 mm
Key width SW1	22.0 mm
Spring stroke Z	17.3 mm
Diameter Ds	100.1 mm
Diameter Dmax(S)	111.1 mm

Design data SAX 100 ED-85 M16-AG



WWW.SCHMALZ.COM/10.01.19.00378

1

Bell suction cup (round)

SAX 100 ED-85 M16-AG



Art.-Nr.: 10.01.19.00378



Technical data

Attribute	Value
Suction cup material	Elastodur ED
Material hardness [Shore A]	85.0 Shore A
Workpiece radius min. (convex)	40.0 mm
Suction force (-600mbar)	412.00 N
Weight	62.50 g
Lateral force	284.0 N
Lateral force oily surface	414.0 N
Volume	96.000 cm ³
Size	100.00
Number of folds	0.0
Connection	M16-M
Product family	SAX

Note: Suction force: The suction force values are theoretical values at -0.6 bar vacuum and a dry, smooth and even workpiece surface – they are specified without safety factors. Hose inner diameter: The recommended hose diameter refers to a hose length of approx. 2 m



Further documentation

CAD data and other documents relating to the article can be found at: www.schmalz.com/10.01.19.00378



WWW.SCHMALZ.COM/10.01.19.00378