

Bell suction cup (round)

SAX 115 ED-85 G3/8-AG



Art.-Nr.: 10.01.19.00353

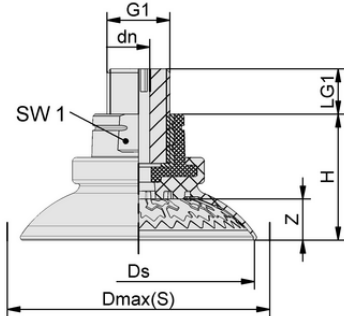


Technical data

Attribute	Value
Suction cup material	Elastodur ED
Material hardness [Shore A]	85.0 Shore A
Size	115.00
Number of folds	0.0
Connection	G3/8"-M

SAX 115 ED-85 G3/8-AG

Suction cup SAX, available in various diameters, is delivered with connection nipple vulcanized to elastomer part.



Design data

Attribute	Value
Height H	42.60 mm
Nominal diameter dn	6.10 mm
Thread G1	G3/8"-M
Thread length LG1	12.0 mm
Key width SW1	22.0 mm
Spring stroke Z	20.2 mm
Diameter Ds	116.0 mm
Diameter Dmax(S)	129.4 mm

Design data SAX 115 ED-85 G3/8-AG



WWW.SCHMALZ.COM/10.01.19.00353

Bell suction cup (round)

SAX 115 ED-85 G3/8-AG



Art.-Nr.: 10.01.19.00353



Technical data

Attribute	Value
Suction cup material	Elastodur ED
Material hardness [Shore A]	85.0 Shore A
Workpiece radius min. (convex)	50.0 mm
Suction force (-600mbar)	549.00 N
Weight	70.00 g
Lateral force	390.0 N
Lateral force oily surface	584.0 N
Volume	142.000 cm ³
Size	115.00
Number of folds	0.0
Connection	G3/8"-M
Product family	SAX

Note: Suction force: The suction force values are theoretical values at -0.6 bar vacuum and a dry, smooth and even workpiece surface – they are specified without safety factors. Hose inner diameter: The recommended hose diameter refers to a hose length of approx. 2 m



Further documentation

CAD data and other documents relating to the article can be found at: www.schmalz.com/10.01.19.00353



WWW.SCHMALZ.COM/10.01.19.00353