

Bell suction cup (round)

SAX 100 ED-85 M16-AG RP



Art.-Nr.: 10.01.19.00234

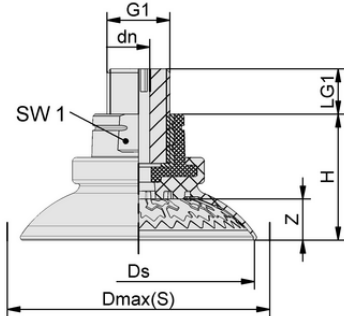


Technical data

| Attribute | Value |
|-----------------------------|--------------|
| Suction cup material | Elastodur ED |
| Material hardness [Shore A] | 85.0 Shore A |
| Size | 100.00 |
| Number of folds | 0.0 |
| Connection | M16-M |

SAX 100 ED-85 M16-AG RP

Suction cup SAX, available in various diameters, is delivered with connection nipple vulcanized to elastomer part.



Design data

| Attribute | Value |
|---------------------|----------|
| Height H | 39.70 mm |
| Nominal diameter dn | 6.10 mm |
| Thread G1 | M16-M |
| Thread length LG1 | 12.0 mm |
| Key width SW1 | 22.0 mm |
| Spring stroke Z | 17.3 mm |
| Diameter Ds | 100.1 mm |
| Diameter Dmax(S) | 111.1 mm |

Design data SAX 100 ED-85 M16-AG RP



WWW.SCHMALZ.COM/10.01.19.00234

1

Bell suction cup (round)

SAX 100 ED-85 M16-AG RP



Art.-Nr.: 10.01.19.00234



Technical data

| Attribute | Value |
|--------------------------------|------------------------|
| Suction cup material | Elastodur ED |
| Material hardness [Shore A] | 85.0 Shore A |
| Workpiece radius min. (convex) | 40.0 mm |
| Suction force (-600mbar) | 412.00 N |
| Weight | 62.50 g |
| Lateral force | 284.0 N |
| Lateral force oily surface | 414.0 N |
| Volume | 96.000 cm ³ |
| Size | 100.00 |
| Number of folds | 0.0 |
| Connection | M16-M |
| Product family | SAX |

Note: Suction force: The suction force values are theoretical values at -0.6 bar vacuum and a dry, smooth and even workpiece surface – they are specified without safety factors. Hose inner diameter: The recommended hose diameter refers to a hose length of approx. 2 m



Further documentation

CAD data and other documents relating to the article can be found at: www.schmalz.com/10.01.19.00234



Discontinued item

The product family will be discontinued and is available until **31.12.2026**
Starting from this time, the article can no longer be ordered.
alternative article



WWW.SCHMALZ.COM/10.01.19.00234