

Bell suction cup (round)

SAX 50 ED-85 M10-AG RP



Art.-Nr.: 10.01.19.00222

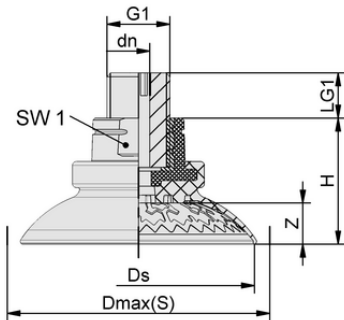


Technical data

Suction cup material	Elastodur ED
Material hardness [Shore A]	85.0 Shore A
Size	50.00
Number of folds	0.0
Connection	M10-M

SAX 50 ED-85 M10-AG RP

Suction cup SAX, available in various diameters, is delivered with connection nipple vulcanized to elastomer part.



Design data

Height H	29.60 mm
Nominal diameter dn	4.10 mm
Thread G1	M10-M
Thread length LG1	14.5 mm
Key width SW1	22.0 mm
Spring stroke Z	8.4 mm
Diameter Ds	51.5 mm
Diameter Dmax(S)	58.4 mm

Design data SAX 50 ED-85 M10-AG RP



WWW.SCHMALZ.COM/10.01.19.00222

1

Bell suction cup (round)

SAX 50 ED-85 M10-AG RP



Art.-Nr.: 10.01.19.00222



Technical data

Suction cup material	Elastodur ED
Material hardness [Shore A]	85.0 Shore A
Workpiece radius min. (convex)	25.0 mm
Suction force (-600mbar)	109.00 N
Weight	35.20 g
Lateral force	74.0 N
Lateral force oily surface	110.0 N
Volume	15.200 cm ³
Size	50.00
Number of folds	0.0
Connection	M10-M
Product family	SAX

Note: Suction force: The suction force values are theoretical values at -0.6 bar vacuum and a dry, smooth and even workpiece surface – they are specified without safety factors. Hose inner diameter: The recommended hose diameter refers to a hose length of approx. 2 m



31.12.2026



WWW.SCHMALZ.COM/10.01.19.00222