

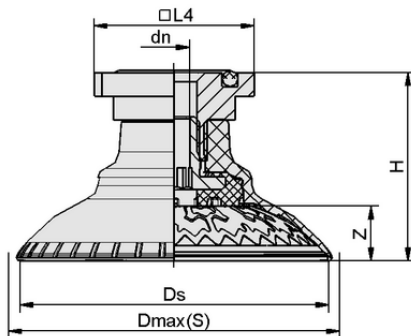
Technical data

Suction cup material	Elastodur ED
Material hardness [Shore A]	85.0 Shore A
Size	40.00
Connection	RA
Nipple material	Aluminum

SAXM 40 ED-85 RA

Bell-shaped suction cup SAXM (elastomer part + connection element) is delivered assembled. As an alternative the individual parts can also be ordered separately. To do this, the following ordering steps are required:

- Bell-shaped suction cup of type SAXM (step 1) – elastomer part, available in various diameters
- Connector upper part (step 2) – available with various threads
- Connector lower part (step 3) – including molded friction disc



Design data

Height H	29.90 mm
Nominal diameter dn	5.10 mm
Spring stroke Z	6.9 mm
Diameter Ds	41.3 mm
Length L4	31.80 mm
Diameter Dmax(S)	45.4 mm

Note: Acceptable dimensional tolerances for elastomer parts concerning to DIN ISO 3302-1 M3

Design data SAXM 40 ED-85 RA

Art.-Nr.: 10.01.19.00023

**Technical data**

Suction cup material	Elastodur ED
Material hardness [Shore A]	85.0 Shore A
Hose inner diameter (recom.) d	5.0 mm
Workpiece radius min. (convex)	25.0 mm
Suction force (-600mbar)	69.00 N
Weight	26.00 g
Lateral force	38.0 N
Lateral force oily surface	71.0 N
Volume	7.100 cm ³
Size	40.00
Number of folds	0.0
Connection	Rectangular adapter
Product family	SAXM

Note: Suction force: The specified suction forces are theoretical values at a vacuum of -0.6 bar and with a dry, smooth and even workpiece surface - they do not include a safety factor Lateral force: The specified lateral forces are values measured at a vacuum of -0.6 bar with a dry or oily, smooth, flat workpiece surface. Depending on the workpiece surface and its quality, the actual values may deviate from these values Hose diameter: The recommended hose diameter refers to a hose length of approx. 2 m

**Ordering Data Spare Parts 10.01.19.00023**

Typ		Item number
Schmalz-Connector-Adapter	SC-A 045 RA L	10.01.06.02813

**Ordering Data Wear Parts 10.01.19.00023**

Typ		Item number
Bell suction cup (round)	SAXM 40 ED-85 SC045	10.01.19.00005
Schmalz-Connector-Screw	SC-S 045 FDC-L	10.01.06.02803

