

Art.-Nr.: 10.01.17.00270



Technical data

| Attribute | Value |
|---|-------------------------|
| Size | 50.00 |
| Additional function | Sensor PNP |
| Pressure range (operating pressure) [bar] | 3.5 ... 6.0 bar |
| Holding force max. with friction ring | 180.0 N |
| Socket | G1/4"-F |
| Electrical connection | Male connect M12, 4 pol |

SGM-HD-S 50 G1/4-IG PNP

Magnet gripper SGM is delivered assembled. It is available in three versions:

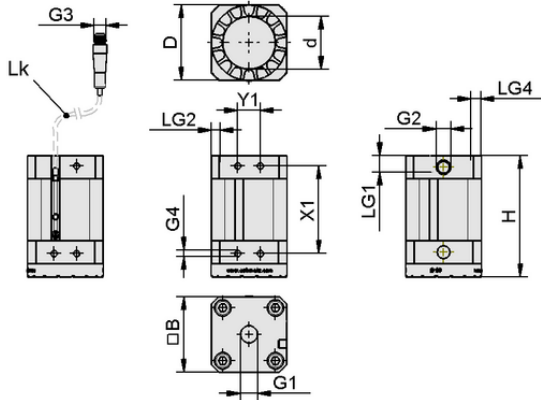
- Gripper of type SGM - available in various diameters
- Gripper of type SGM-HD - stainless-steel grip surface for robust applications - available in various diameters
- Gripper of type SGM-S - with a piston control by a sensor

Available spare parts: friction ring, proximity switch

Available accessories: holder hystem



Art.-Nr.: 10.01.17.00270



Design data

| Attribute | Value |
|--------------------|-----------|
| Width B | 50.70 mm |
| Height H | 80.20 mm |
| Outside diameter D | 50.00 mm |
| Thread G1 | G1/4"-F |
| Thread length LG1 | 11.0 mm |
| Thread G2 | G1/8"-F |
| Thread length LG2 | 6.0 mm |
| Cable length | 300.00 mm |
| Thread length LG4 | 7.0 mm |
| Hole spacing Y1 | 15.0 mm |
| Hole spacing X1 | 58.0 mm |
| Thread G4 | M5-F |
| Thread G3 | M12x1-M |

Design data SGM-HD-S 50 G1/4-IG PNP



Technical data

| Attribute | Value |
|---|-----------------|
| Weight | 445.00 g |
| Installation position | BEL |
| Remaining holding force | 0.3 N |
| Pressure range (operating pressure) [bar] | 3.5 ... 6.0 bar |
| Operating temperature | 5 ... 70 °C |
| Holding force max. with friction ring | 180.0 N |
| Product family | SGM |
| Control valve | Bistable |

Note: Holding force: The value given is a statistical value with no safety factor; based on a plate with a thickness of 2 mm. For system configurations with magnetic grippers SGM, a safety factor of $S = 3$ must be applied



Further documentation

CAD data and other documents relating to the article can be found at: www.schmalz.com/10.01.17.00270



Art.-Nr.: 10.01.17.00270

**Ordering Data Accessories 10.01.17.00270**

| Typ | | Item number |
|----------------------|-----------------------|----------------|
| Holder system | HTS-A2 SGM 50/70 OP | 10.01.17.00578 |
| Holder system | HTS-A2 D SGM 50/70 OP | 10.01.17.00587 |
| Holder system | HTS-A3 SGM 50/70 OP | 10.01.17.00576 |
| Holder system | HTS-A3 D SGM 50/70 OP | 10.01.17.00583 |
| Holder system | HPS-SGM 2M8 50/70 OP | 10.01.17.00653 |
| Connection cable | ASK B-M12-5 5000 K-5P | 21.04.05.00080 |
| Plug union, straight | STV-GE G1/8-AG 6 | 10.08.02.00204 |
| Plug union, elbow | STV-W G1/8-AG 6 | 10.08.02.00158 |
| Vacuum hose (meter) | VSL 6-4 PU MI-TR | 10.07.09.00002 |

**Ordering Data Spare Parts 10.01.17.00270**

| Typ | | Item number |
|------------------|------------------------------|----------------|
| Proximity switch | NAEH-SCHA SMAGN-PNP S051 300 | 10.01.17.00199 |

**Ordering Data Wear Parts 10.01.17.00270**

| Typ | | Item number |
|---------------|------------------------|----------------|
| Friction ring | REIB-RING SGM 50 PU-55 | 10.01.17.00138 |

