

Art.-Nr.: 10.01.12.04085



## Technical data

Height H	100.00 mm
Version	PRO
Dimension (LxW)	160x115
Dimension suction plate bottom	160x115 mm

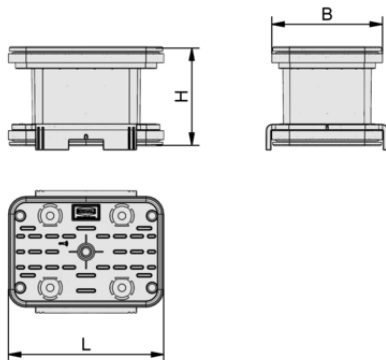
VCBL-K2-PRO 160x115x100

The vacuum block VCBL-K2-PRO is delivered assembled. The product consists of:

- Top suction plate of type VCSP-O - elastomer part, available in various dimensions and suction areas
- Base body made of plastic
- Bottom suction plate type VCSP-U - Elastomer part

Available spare parts: suction plate (top), wear parts set, suction plate (bottom), sealing frame, friction plate, spare parts set with steel inserts, touch valve

Available accessories: Suction plate foam rubber



## Design data

Length L	160.00 mm
Width B	115.00 mm
Height H	100.00 mm

Design data VCBL-K2-PRO 160x115x100



Art.-Nr.: 10.01.12.04085



## Technical data

Dimension suction plate bottom	160x115 mm
--------------------------------	------------



## Ordering Data Accessories 10.01.12.04085

Typ		Item number
Suction plate (top)	VCSP-O 160x115x15 MOS TPE	10.01.12.04237



## Ordering Data Spare Parts 10.01.12.04085

Typ		Item number
Suction plate (top)	VCSP-O 160x115x16.5 TPE	10.01.12.04062
Suction plate (bottom)	VCSP-U 160x115x16.5 VCBL-K2 TPE	10.01.12.04402
Vacuum block guide strip	VCFL 152x126x26.5 VCBL-K2	10.01.12.04059
Set of parts subject to wear	VST VCBL-K2	10.01.12.02149
Touch Valve	TV D9 4.3	10.01.12.02514

