

Art.-Nr.: 10.01.12.00853

**Technical data**

| Attribute | Value |
|--------------------------------|--------------|
| Dimension (LxW) | 120 x 50 |
| Height H | 100.00 mm |
| Arrangement | longways |
| Dimension suction plate bottom | 140 x 115 mm |

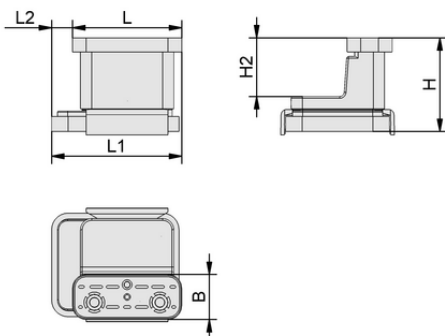
VCBL-K2 120x50x100 L

The vacuum block VCBL-K2 is delivered assembled. The assembly consists of:

- Top suction plate type VCSP-O - elastomer part, available in different dimensions and suction areas
- Main body made of plastic
- Bottom suction plate type VCSP-U - elastomer part

Available spare parts: suction plate (top), wear part set, suction plate (bottom), sealing frame, friction plate, spare part set with steel inserts

Available accessories: suction plate foam rubber

**Design data**

| Attribute | Value |
|-----------|-----------|
| Length L1 | 145.00 mm |
| Length L2 | 23.00 mm |
| Length L | 120.00 mm |
| Width B | 50.00 mm |
| Height H2 | 63.00 mm |
| Height H | 100.00 mm |

Design data VCBL-K2 120x50x100 L



Art.-Nr.: 10.01.12.00853



Technical data

| Attribute | Value |
|--------------------------------|------------|
| Weight | 0.630 kg |
| Dimension suction plate bottom | 140x115 mm |



Further documentation

CAD data and other documents relating to the article can be found at: www.schmalz.com/10.01.12.00853



Ordering Data Spare Parts 10.01.12.00853

| Typ | Item number |
|--------------------|-------------------------------------|
| Set of spare parts | ERS VCBL-Einleger 10.01.12.00618 |



Ordering Data Wear Parts 10.01.12.00853

| Typ | Item number |
|------------------------|---|
| Suction plate (top) | VCSP-O 120x50x15.5 TPE 10.01.12.00012 |
| Suction plate (bottom) | VCSP-U 140x115x16.5 VCBL-K2 TPE 10.01.12.00798 |

