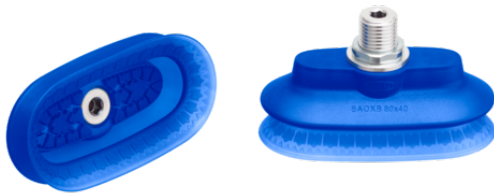


Bellows suction cup (oval)

# SAOXB 80x40 ED-85 M12x1.5-AG



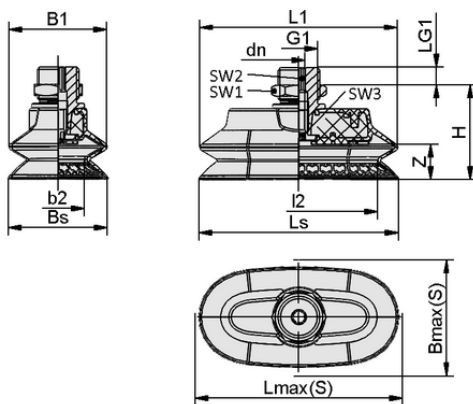
Art.-Nr.: 10.01.06.06020



## Technical data

Attribute	Value
Suction cup material	Elastodur ED
Material hardness [Shore A]	85.0 Shore A
Number of folds	1.5
Dimension (LxW)	80x40
Nipple material	Aluminum

SAOXB 80x40 ED-85 M12x1.5-AG



## Design data

Attribute	Value
Length L1	78.80 mm
Width B1	39.00 mm
Height H	36.70 mm
Nominal diameter dn	4.50 mm
Thread G1	M12x1.5-M
Thread length LG1	8.5 mm
Key width SW1	18.0 mm
Spanner size SW2	5.0 mm
Spring stroke Z	14.0 mm
Suction cup width Bs	39.00 mm
Ls	80.00 mm
Key width SW3	5.0 mm
Lmax.(S)	84.00 mm
Bmax(S)	46.00 mm
Length L2	63.00 mm
Width B2	23.00 mm

Design data SAOXB 80x40 ED-85 M12x1.5-AG



[WWW.SCHMALZ.COM/10.01.06.06020](http://WWW.SCHMALZ.COM/10.01.06.06020)

1

Art.-Nr.: 10.01.06.06020

**Technical data**

Attribute	Value
Suction cup material	Elastodur ED
Material hardness [Shore A]	85.0 Shore A
Workpiece radius min. (convex)	17.5 mm
Pull-off force	96.60 N
Suction force (-600mbar)	76.10 N
Lateral force	42.8 N
Lateral force oily surface	50.4 N
Volume	30.900 cm <sup>3</sup>
Number of folds	1.5
Effective suction area	26.52 mm <sup>2</sup>
Product family	SAOXB
Dimension (LxW)	80x40
Nipple material	Aluminum

Note: Suction force: The suction force values are theoretical values at -0.6 bar vacuum and a dry, smooth and even workpiece surface – they are specified without safety factors. Hose inner diameter: The recommended hose diameter refers to a hose length of approx. 2 m

**Further documentation**

CAD data and other documents relating to the article can be found at: [www.schmalz.com/10.01.06.06020](http://www.schmalz.com/10.01.06.06020)

**Ordering Data Spare Parts 10.01.06.06020**

Typ		Item number
Bellows suction cup (oval)	SAOXB 80x40 ED-85 SC043	10.01.06.05782

