

Bellows suction cup (oval)

SAOXB 60x30 ED-85 M16-AG



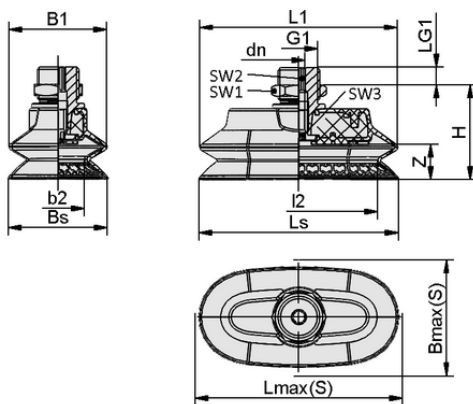
Art.-Nr.: 10.01.06.06008



Technical data

Attribute	Value
Suction cup material	Elastodur ED
Material hardness [Shore A]	85.0 Shore A
Number of folds	1.5
Dimension (LxW)	60x30
Nipple material	Aluminum

SAOXB 60x30 ED-85 M16-AG



Design data

Attribute	Value
Length L1	59.20 mm
Width B1	29.50 mm
Height H	35.00 mm
Nominal diameter dn	4.50 mm
Thread G1	M16-M
Thread length LG1	12.0 mm
Key width SW1	24.0 mm
Spanner size SW2	5.0 mm
Spring stroke Z	10.5 mm
Suction cup width Bs	30.00 mm
Ls	60.00 mm
Key width SW3	5.0 mm
Lmax.(S)	63.00 mm
Bmax(S)	34.00 mm
Length L2	45.60 mm
Width B2	15.60 mm

Design data SAOXB 60x30 ED-85 M16-AG



WWW.SCHMALZ.COM/10.01.06.06008

Art.-Nr.: 10.01.06.06008

**Technical data**

Attribute	Value
Suction cup material	Elastodur ED
Material hardness [Shore A]	85.0 Shore A
Workpiece radius min. (convex)	15.0 mm
Pull-off force	62.50 N
Suction force (-600mbar)	37.40 N
Lateral force	31.5 N
Lateral force oily surface	36.2 N
Volume	13.700 cm ³
Number of folds	1.5
Effective suction area	14.78 mm ²
Product family	SAOXB
Dimension (LxW)	60x30
Nipple material	Aluminum

Note: Suction force: The suction force values are theoretical values at -0.6 bar vacuum and a dry, smooth and even workpiece surface – they are specified without safety factors. Hose inner diameter: The recommended hose diameter refers to a hose length of approx. 2 m

**Further documentation**

CAD data and other documents relating to the article can be found at: www.schmalz.com/10.01.06.06008

**Ordering Data Spare Parts 10.01.06.06008**

Typ		Item number
Bellows suction cup (oval)	SAOXB 60x30 ED-85 SC043	10.01.06.05781

