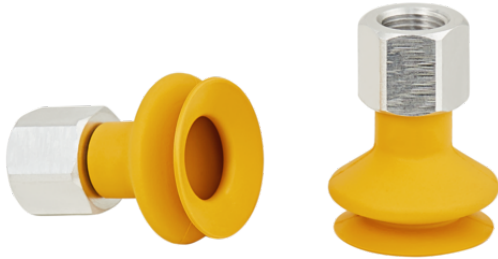


Art.-Nr.: 10.01.06.04486

**Technical data**

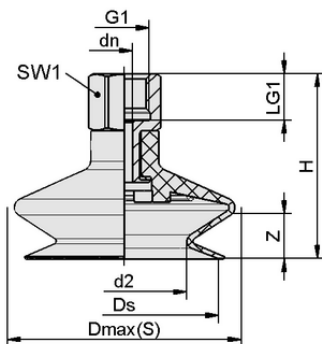
| | |
|-----------------------------|------------------------|
| Suction cup material | Nitrile rubber NBR-ESD |
| Material hardness [Shore A] | 55.0 Shore A |
| Size | 25.00 |
| Number of folds | 1.5 |
| Connection | G1/8"-F |
| Vacuum connection | G1/8"-F |
| Nipple material | Aluminum |

FSGA 25 NBR-ESD-55 G1/8-IG

Suction cup FSGA (elastomer part + connection nipple) is delivered unassembled (diameters of 33 mm and more are assembled). The delivery consists of:

- Suction cup of type FGA – elastomer part, available in various diameters and materials
- Connection nipple of type SA-NIP – available with various threads

Available spare parts: suction cup FGA, connection nipple SA-NIP

**Design data**

| | |
|---------------------|----------|
| Height H | 35.00 mm |
| Nominal diameter dn | 3.50 mm |
| d2 | 9.9 mm |
| Thread G1 | G1/8"-F |
| Thread length LG1 | 8.0 mm |
| Key width SW1 | 14.0 mm |
| Spring stroke Z | 9.0 mm |
| Diameter Ds | 22.5 mm |
| Diameter Dmax(S) | 26.5 mm |

Note: Acceptable dimensional tolerances for elastomer parts concerning to DIN ISO 3302-1 M3

Design data FSGA 25 NBR-ESD-55 G1/8-IG



Art.-Nr.: 10.01.06.04486

**Technical data**

| | |
|--------------------------------|------------------------|
| Suction cup material | Nitrile rubber NBR-ESD |
| Material hardness [Shore A] | 55.0 Shore A |
| Hose inner diameter (recom.) d | 4.0 mm |
| Workpiece radius min. (convex) | 25.0 mm |
| Pull-off force | 17.30 N |
| Suction force (-600mbar) | 5.30 N |
| Weight | 6.80 g |
| Volume | 3.150 cm ³ |
| Size | 25.00 |
| Number of folds | 1.5 |
| Product family | FSGA |
| Connection | G1/8-IG |

Note: Suction force: The specified suction forces are theoretical values at a vacuum of -0.6 bar and with a dry, smooth and even workpiece surface - they do not include a safety factor Pull-off force: The pull-off force of the versions made of natural rubber is reduced by about 40% Hose diameter: The recommended hose diameter refers to a hose length of approx. 2 m

**Ordering Data Spare Parts 10.01.06.04486**

| Typ | | Item number |
|--------------------------------|---------------------------|----------------|
| Bellows suction cup (round) | FGA 25 NBR-ESD-55 N062 | 10.01.06.04455 |
| Suction Cup Connection Nipples | SA-NIP N062 G1/8-IG DN350 | 10.01.06.05669 |

