

Bellows suction cups (round)  
**SPB1 80 ED-65 G3/8-AG**



Art.-Nr.: 10.01.06.03911



**Technical data**

Attribute	Value
Suction cup material	Elastodur ED
Material hardness [Shore A]	65.0 Shore A
Size	80.00
Number of folds	1.5
Thread G1	G3/8"-M

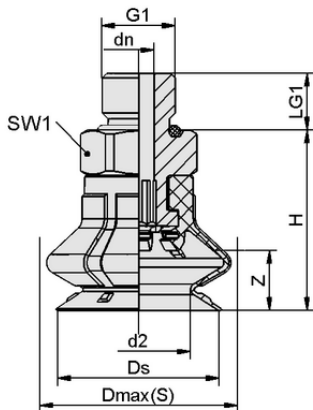
SPB1 80 ED-65 G3/8-AG

Suction cup SPB1 (elastomer part + connection element) is delivered assembled. The assembly consists of:

- Suction cup of type SPB1 – elastomer part, available in various diameters
- Connection element of type SC – available with various threads

Available spare parts: suction cup SPB1, connection element (Schmalz-Connector)

Available accessories: filter screen (sieve, round), suction cup insert



**Design data**

Attribute	Value
Height H	53.90 mm
Nominal diameter dn	6.10 mm
d2	56.0 mm
Thread G1	G3/8"-M
Thread length LG1	10.0 mm
Key width SW1	22.0 mm
Spring stroke Z	23.5 mm
Diameter Ds	81.4 mm
Diameter Dmax(S)	88.0 mm

Design data SPB1 80 ED-65 G3/8-AG



[WWW.SCHMALZ.COM/10.01.06.03911](http://WWW.SCHMALZ.COM/10.01.06.03911)

Bellows suction cups (round)  
**SPB1 80 ED-65 G3/8-AG**



Art.-Nr.: 10.01.06.03911



**Technical data**

Attribute	Value
Suction cup material	Elastodur ED
Material hardness [Shore A]	65.0 Shore A
Hose inner diameter (recom.) d	6.0 mm
Workpiece radius min. (convex)	70.0 mm
Pull-off force	200.00 N
Suction force (-600mbar)	166.00 N
Lateral force	59.0 N
Volume	98.358 cm <sup>3</sup>
Size	80.00
Number of folds	1.5
Product family	SPB1

Note: Suction force: The suction force values are theoretical values at -0.6 bar vacuum and a dry, smooth and even workpiece surface – they are specified without safety factors. Hose inner diameter: The recommended hose diameter refers to a hose length of approx. 2 m



**Further documentation**

CAD data and other documents relating to the article can be found at: [www.schmalz.com/10.01.06.03911](http://www.schmalz.com/10.01.06.03911)



**Ordering Data Spare Parts 10.01.06.03911**

Typ		Item number
Bellows suction cup (round)	SPB1 80 ED-65 SC065	10.01.06.03071
Schmalz-Connector-Adapter	SC-A 065 G3/8-AG L	10.01.06.02810



[WWW.SCHMALZ.COM/10.01.06.03911](http://WWW.SCHMALZ.COM/10.01.06.03911)