

Bellows suction cup (oval)

SAOB 110x55 NBR-60 NPT3/8-IG



Art.-Nr.: 10.01.06.03077

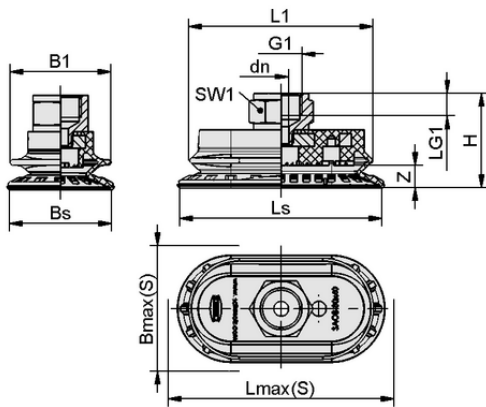


Technical data

Suction cup material	Nitrile rubber NBR
Material hardness [Shore A]	60.0 Shore A
Dimension (LxW)	110 x 55
Number of folds	1.5
Connection	NPT3/8-IG
Nipple material	Brass

SAOB 110x55 NBR-60 NPT3/8-IG

Suction cup SAOB, available in various diameters, is delivered with connection nipple vulcanized to elastomer part.



Design data

Length L1	98.80 mm
Width B1	53.00 mm
Height H	43.50 mm
Nominal diameter dn	8.00 mm
Thread G1	NPT3/8"-F
Thread length LG1	7.5 mm
Key width SW1	22.0 mm
Spring stroke Z	12.0 mm
Suction cup width Bs	55.10 mm
Ls	110.10 mm
Lmax.(S)	114.00 mm
Bmax(S)	59.00 mm

Note: Acceptable dimensional tolerances for elastomer parts concerning to DIN ISO 3302-1 M3

Design data SAOB 110x55 NBR-60 NPT3/8-IG



WWW.SCHMALZ.COM/10.01.06.03077

1

Art.-Nr.: 10.01.06.03077

**Technical data**

Suction cup material	Nitrile rubber NBR
Material hardness [Shore A]	60.0 Shore A
Hose inner diameter (recom.) d	6.0 mm
Workpiece radius min. (convex)	50.0 mm
Pull-off force	233.50 N
Weight	84.20 g
Dimension (LxW)	110 x 55
Lateral force	299.2 N
Lateral force oily surface	123.6 N
Volume	53.100 cm ³
Number of folds	1.5
Product family	SAOB

Note: Suction force: The specified suction forces are theoretical values at a vacuum of -0.6 bar and with a dry, smooth and even workpiece surface - they do not include a safety factor Lateral force: The specified lateral forces are values measured at a vacuum of -0.6 bar with a dry or oily, smooth, flat workpiece surface. Depending on the workpiece surface and its quality, the actual values may deviate from these values Hose diameter: The recommended hose diameter refers to a hose length of approx. 2 m

