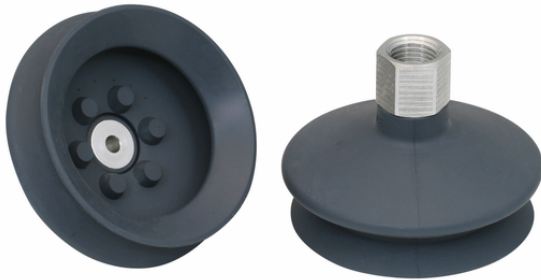


Bellows suction cups (round)
FSGA 63 NK-45 G1/4-IG



Art.-Nr.: 10.01.06.00693



Technical data

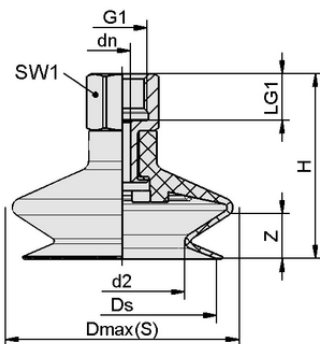
Attribute	Value
Suction cup material	Natural rubber NK
Material hardness [Shore A]	45.0 Shore A
Size	63.00
Number of folds	1.5
Connection	G1/4"-F
Vacuum connection	G1/4"-F
Nipple material	Aluminum

FSGA 63 NK-45 G1/4-IG

Suction cup FSGA (elastomer part + connection nipple) is delivered unassembled (diameters of 33 mm and more are assembled). The delivery consists of:

- Suction cup of type FGA – elastomer part, available in various diameters and materials
- Connection nipple of type SA-NIP – available with various threads

Available spare parts: suction cup FGA, connection nipple SA-NIP



Design data

Attribute	Value
Height H	49.00 mm
Nominal diameter dn	4.40 mm
d2	44.5 mm
Thread G1	G1/4"-F
Thread length LG1	12.0 mm
Key width SW1	17.0 mm
Spring stroke Z	15.0 mm
Diameter Ds	60.0 mm
Diameter Dmax(S)	68.0 mm

Note: Acceptable dimensional tolerances for elastomer parts concerning to DIN ISO 3302-1 M3

Design data FSGA 63 NK-45 G1/4-IG



WWW.SCHMALZ.COM/10.01.06.00693

Bellows suction cups (round)

FSGA 63 NK-45 G1/4-IG



Art.-Nr.: 10.01.06.00693



Technical data

Attribute	Value
Suction cup material	Natural rubber NK
Material hardness [Shore A]	45.0 Shore A
Hose inner diameter (recom.) d	6.0 mm
Workpiece radius min. (convex)	100.0 mm
Pull-off force	135.00 N
Suction force (-600mbar)	85.00 N
Weight	34.00 g
Volume	43.829 cm ³
Size	63.00
Number of folds	1.5
Product family	FSGA
Connection	G1/4-IG

Note: Suction force: The specified suction forces are theoretical values at a vacuum of -0.6 bar and with a dry, smooth and even workpiece surface - they do not include a safety factor Pull-off force: The pull-off force of the versions made of natural rubber is reduced by about 40% Hose diameter: The recommended hose diameter refers to a hose length of approx. 2 m



Further documentation

CAD data and other documents relating to the article can be found at: www.schmalz.com/10.01.06.00693



Ordering Data Spare Parts 10.01.06.00693

Typ		Item number
Suction Cup Connection Nipples	SA-NIP N018 G1/4-IG DN440	10.01.06.01066



Ordering Data Wear Parts 10.01.06.00693

Typ		Item number
Bellows suction cup (round)	FGA 63 NK-45 N018	10.01.06.00690



WWW.SCHMALZ.COM/10.01.06.00693