

Bellows suction cup (round)

SAB 40 NBR-60 G1/4-IG



Art.-Nr.: 10.01.06.00670

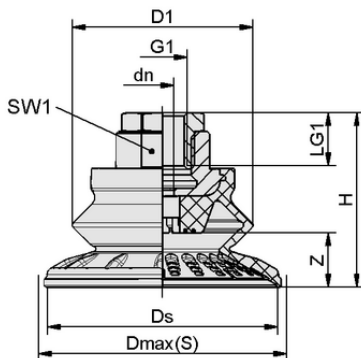


Technical data

Suction cup material	Nitrile rubber NBR
Material hardness [Shore A]	60.0 Shore A
Size	40.00
Number of folds	1.5
Connection	G1/4-IG
Nipple material	Aluminum

SAB 40 NBR-60 G1/4-IG

Suction cup SAB, available in various diameters, is delivered with connection nipple vulcanized to elastomer part.



Design data

Height H	28.80 mm
Outside diameter D1	32.0 mm
Nominal diameter dn	4.00 mm
Thread G1	G1/4"-F
Thread length LG1	12.0 mm
Key width SW1	17.0 mm
Spring stroke Z	9.8 mm
Diameter Ds	40.1 mm
Diameter Dmax(S)	45.0 mm

Note: Acceptable dimensional tolerances for elastomer parts concerning to DIN ISO 3302-1 M3

Design data SAB 40 NBR-60 G1/4-IG



WWW.SCHMALZ.COM/10.01.06.00670

1

Art.-Nr.: 10.01.06.00670

**Technical data**

Suction cup material	Nitrile rubber NBR
Material hardness [Shore A]	60.0 Shore A
Hose inner diameter (recom.) d	4.0 mm
Workpiece radius min. (convex)	40.0 mm
Pull-off force	59.00 N
Suction force (-600mbar)	38.00 N
Weight	14.30 g
Lateral force	58.0 N
Lateral force oily surface	33.0 N
Volume	8.680 cm ³
Size	40.00
Number of folds	1.5
Product family	SAB

Note: Suction force: The specified suction forces are theoretical values at a vacuum of -0.6 bar and with a dry, smooth and even workpiece surface - they do not include a safety factor Lateral force: The specified lateral forces are values measured at a vacuum of -0.6 bar with a dry or oily, smooth, flat workpiece surface. Depending on the workpiece surface and its quality, the actual values may deviate from these values Hose diameter: The recommended hose diameter refers to a hose length of approx. 2 m

