

Art.-Nr.: 10.01.06.00418

**Technical data**

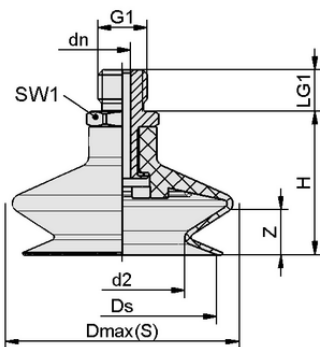
Attribute	Value
Suction cup material	Natural rubber NK
Material hardness [Shore A]	45.0 Shore A
Size	43.00
Number of folds	1.5
Connection	G1/4"-M
Vacuum connection	G1/4"-M
Nipple material	Aluminum

FSGA 43 NK-45 G1/4-AG

Suction cup FSGA (elastomer part + connection nipple) is delivered unassembled (diameters of 33 mm and more are assembled). The delivery consists of:

- Suction cup of type FGA – elastomer part, available in various diameters and materials
- Connection nipple of type SA-NIP – available with various threads

Available spare parts: suction cup FGA, connection nipple SA-NIP

**Design data**

Attribute	Value
Height H	31.60 mm
Nominal diameter dn	4.40 mm
d2	21.9 mm
Thread G1	G1/4"-M
Thread length LG1	11.0 mm
Key width SW1	17.0 mm
Spring stroke Z	10.0 mm
Diameter Ds	38.0 mm
Diameter Dmax(S)	47.5 mm

Note: Acceptable dimensional tolerances for elastomer parts concerning to DIN ISO 3302-1 M3

Design data FSGA 43 NK-45 G1/4-AG



Art.-Nr.: 10.01.06.00418

**Technical data**

Attribute	Value
Suction cup material	Natural rubber NK
Material hardness [Shore A]	45.0 Shore A
Hose inner diameter (recom.) d	6.0 mm
Workpiece radius min. (convex)	60.0 mm
Pull-off force	64.50 N
Suction force (-600mbar)	22.80 N
Weight	19.00 g
Volume	9.250 cm ³
Size	43.00
Number of folds	1.5
Product family	FSGA
Connection	G1/4-AG

Note: Suction force: The specified suction forces are theoretical values at a vacuum of -0.6 bar and with a dry, smooth and even workpiece surface - they do not include a safety factor Pull-off force: The pull-off force of the versions made of natural rubber is reduced by about 40% Hose diameter: The recommended hose diameter refers to a hose length of approx. 2 m

**Further documentation**

CAD data and other documents relating to the article can be found at: www.schmalz.com/10.01.06.00418

**Ordering Data Spare Parts 10.01.06.00418**

Typ		Item number
Suction Cup Connection Nipples	SA-NIP N018 G1/4-AG DN440	10.01.06.01065

**Ordering Data Wear Parts 10.01.06.00418**

Typ		Item number
Bellows suction cup (round)	FGA 43 NK-45 N018	10.01.06.00427

