

Flat suction cup (oval)

SAOF 80x40 NBR-45 G1/4-IG



Art.-Nr.: 10.01.05.00578

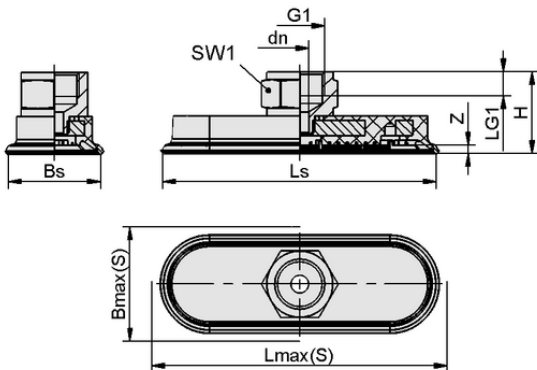


Technical data

Suction cup material	Nitrile rubber NBR
Material hardness [Shore A]	45.0 Shore A
Connection	G1/4-IG
Dimension (LxW)	80x40
Nipple material	Nickel plated

SAOF 80x40 NBR-45 G1/4-IG

Suction cup SAOF, available in various diameters, is delivered with connection nipple vulcanized to elastomer part.



Design data

Height H	28.00 mm
Nominal diameter dn	6.00 mm
Thread G1	G1/4"-F
Thread length LG1	8.0 mm
Key width SW1	17.0 mm
Spring stroke Z	4.0 mm
Suction cup width Bs	38.60 mm
Ls	80.60 mm
Lmax.(S)	85.00 mm
Bmax(S)	43.00 mm

Note: Acceptable dimensional tolerances for elastomer parts concerning to DIN ISO 3302-1 M3

Design data SAOF 80x40 NBR-45 G1/4-IG



WWW.SCHMALZ.COM/10.01.05.00578

1

Art.-Nr.: 10.01.05.00578

**Technical data**

Suction cup material	Nitrile rubber NBR
Material hardness [Shore A]	45.0 Shore A
Hose inner diameter (recom.) d	4.0 mm
Workpiece radius min. (convex)	50.0 mm
Suction force (-600mbar)	140.00 N
Weight	43.00 g
Lateral force	110.0 N
Lateral force oily surface	100.0 N
Volume	11.700 cm ³
Number of folds	0.0
Product family	SAOF
Dimension (LxW)	80x40

Note: Suction force: The specified suction forces are theoretical values at a vacuum of -0.6 bar and with a dry, smooth and even workpiece surface - they do not include a safety factor Lateral force: The specified lateral forces are values measured at a vacuum of -0.6 bar with a dry or oily, smooth, flat workpiece surface. Depending on the workpiece surface and its quality, the actual values may deviate from these values Hose diameter: The recommended hose diameter refers to a hose length of approx. 2 m

