

Flat suction cup (oval)

SAOF 140x70 NBR-60 G1/4-IG



Art.-Nr.: 10.01.05.00287

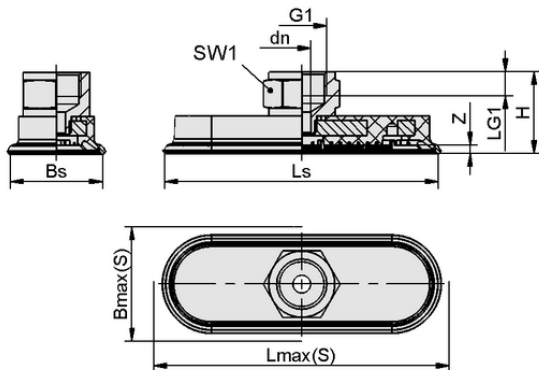


Technical data

Suction cup material	Nitrile rubber NBR
Material hardness [Shore A]	60.0 Shore A
Connection	G 1/4-IG
Dimension (LxW)	140x70
Nipple material	Nickel plated

SAOF 140x70 NBR-60 G1/4-IG

Suction cup SAOF, available in various diameters, is delivered with connection nipple vulcanized to elastomer part.



Design data

Height H	33.00 mm
Nominal diameter dn	8.00 mm
Thread G1	G1/4"-F
Thread length LG1	8.0 mm
Key width SW1	17.0 mm
Spring stroke Z	7.0 mm
Suction cup width Bs	67.60 mm
Ls	140.60 mm
Lmax.(S)	149.00 mm
Bmax(S)	76.00 mm

Note: Acceptable dimensional tolerances for elastomer parts concerning to DIN ISO 3302-1 M3

Design data SAOF 140x70 NBR-60 G1/4-IG



WWW.SCHMALZ.COM/10.01.05.00287

Flat suction cup (oval)

SAOF 140x70 NBR-60 G1/4-IG



Art.-Nr.: 10.01.05.00287



Technical data

Suction cup material	Nitrile rubber NBR
Material hardness [Shore A]	60.0 Shore A
Hose inner diameter (recom.) d	6.0 mm
Workpiece radius min. (convex)	90.0 mm
Suction force (-600mbar)	425.00 N
Weight	95.00 g
Lateral force	344.0 N
Lateral force oily surface	230.0 N
Volume	57.300 cm ³
Number of folds	0.0
Product family	SAOF
Dimension (LxW)	140x70

Note: Suction force: The specified suction forces are theoretical values at a vacuum of -0.6 bar and with a dry, smooth and even workpiece surface - they do not include a safety factor Lateral force: The specified lateral forces are values measured at a vacuum of -0.6 bar with a dry or oily, smooth, flat workpiece surface. Depending on the workpiece surface and its quality, the actual values may deviate from these values Hose diameter: The recommended hose diameter refers to a hose length of approx. 2 m



WWW.SCHMALZ.COM/10.01.05.00287