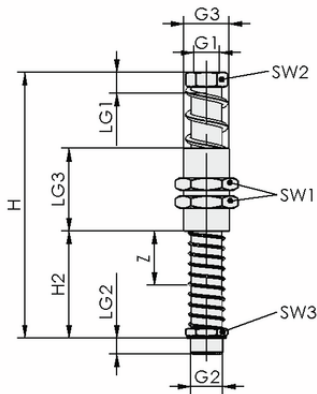


Art.-Nr.: 10.01.02.00889



FSTA-HD G1/2-AG 25 VG

Spring plunger FSTA-HD is delivered as a ready-to-connect product.



Design data FSTA-HD G1/2-AG 25 VG

**Technical data**

Attribute	Value
Shape mounting elements	with anti-rotation guard
Spring stroke Z	25.0 mm
Suction cup connection	G1/2"-M
Vacuum connection	G3/8"-F
Tightening torque (max)	50.0 Nm

**Design data**

Attribute	Value
Height H2	40.30 mm
Height H	146.50 mm
Thread G1	G3/8"-F
Thread length LG1	12.0 mm
Thread G2	G1/2"-M
Thread length LG2	10.5 mm
Thread length LG3	53.0 mm
Key width SW1	36.0 mm
Spanner size SW2	24.0 mm
Spring stroke Z	25.0 mm
Key width SW3	24.0 mm
Thread G3	M30x1.5-M

Art.-Nr.: 10.01.02.00889

**Technical data**

Attribute	Value
Spring force center	73.50 N
Spring rate	3.828 N/mm
Spring pretension	25.65 N
Horizontal load	1,870.0 N
Vertical load	4,900.0 N
Weight	495.00 g
Operating temperature	0 ... 80 °C
Product family	FSTA-HD
Tightening torque (max)	50.0 Nm

Note: Spring force: Referred to 50 % of operating stroke Vertical loading: Maximum static loading Horizontal stress: The specification of the horizontal stress refers to the lower edge of the plunger with extended spring. It is a maximum static stress and it impairs the spring compression and extension in horizontal position

**Further documentation**

CAD data and other documents relating to the article can be found at: [www.schmalz.com/10.01.02.00889](http://www.schmalz.com/10.01.02.00889)

**Ordering Data Accessories 10.01.02.00889**

Typ		Item number
Flexolink	FLK G1/2-IG G1/2-AG	10.01.03.00175
Flexolink	FLK G1/2-IG G1/2-AG V	10.01.03.00207
Ball joint	KGL G1/2-IG G1/2-AG	10.01.03.00111
Cross-beam connection	HTR-STA 62 1N D30 WI	10.08.03.00148
Cross-beam connection	HTR-ST5 40x40 D30 WI	10.08.03.00090
Cross-beam connection	HTR-ST5 50x50 D30 WI	10.08.03.00091
Cross-beam connection	HTR-ST5 60x60 D30 WI	10.08.03.00092
Hose sleeve	ST G3/8-AG 9 MS-V	10.08.03.00159
Hose sleeve	ST G3/8-AG 13 MS-V	10.08.03.00160
Plug union, straight	STV-GE G3/8-AG 8	10.08.02.00237
Plug union, straight	STV-GE G3/8-AG 10	10.08.02.00252
Plug union, straight	STV-GE G3/8-AG 12	10.08.02.00209
Plug union, straight	STV-GE G3/8-AG 14	10.08.02.00211
Plug union, elbow	STV-W G3/8-AG 8	10.08.02.00236
Plug union, elbow	STV-W G3/8-AG 10	10.08.02.00255
Plug union, elbow	STV-W G3/8-AG 12	10.08.02.00163
Plug union, elbow	STV-WF G3/8-AG 8	10.08.02.00234
Plug union, elbow	STV-WF G3/8-AG 10	10.08.02.00259

