

Flat suction cups (round)

SUF 50 HT1-60 G1/8-AG



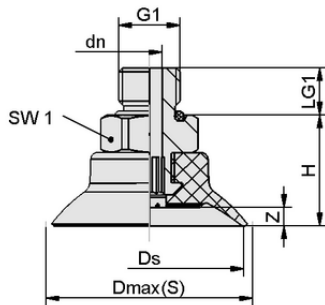
Art.-Nr.: 10.01.01.15929



Technical data

Attribute	Value
Suction cup material	High temperature material HT1
Material hardness [Shore A]	60.0 Shore A
Size	50.00
Number of folds	0.0

SUF 50 HT1-60 G1/8-AG



Design data

Attribute	Value
Height H	18.50 mm
Nominal diameter dn	5.10 mm
Thread G1	G 1/8"-M
Thread length LG1	7.5 mm
Key width SW1	5.0 mm
Spring stroke Z	5.0 mm
Diameter Ds	50.0 mm
Diameter Dmax(S)	54.3 mm

Design data SUF 50 HT1-60 G1/8-AG



WWW.SCHMALZ.COM/10.01.01.15929

Flat suction cups (round)

SUF 50 HT1-60 G1/8-AG



Art.-Nr.: 10.01.01.15929



Technical data

Attribute	Value
Suction cup material	High temperature material HT1
Suction force (-600mbar)	95.00 N
Weight	19.50 g
Size	50.00
Number of folds	0.0
Product family	SUF



Further documentation

CAD data and other documents relating to the article can be found at: www.schmalz.com/10.01.01.15929



WWW.SCHMALZ.COM/10.01.01.15929