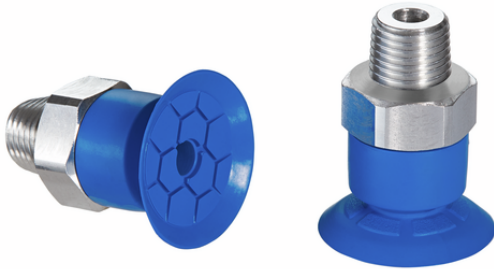


Flat suction pad (round)

SFF 25 HT1-60 NPT1/8-AG



Art.-Nr.: 10.01.01.14978



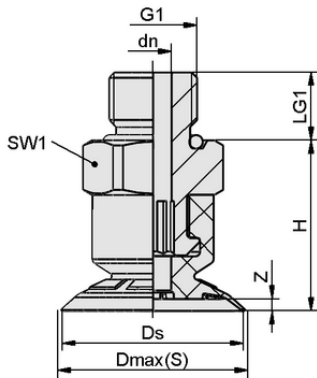
Technical data

Suction cup material	High temperature material HT1
Material hardness [Shore A]	60.0 Shore A
Size	25.00

SFF 25 HT1-60 NPT1/8-AG

The suction cup SFF / SFB1 (elastomer part + connection nipple) is supplied assembled.

Available spare parts: suction cup SFF / SFB1, connection nipple SC



Design data

Height H	19.20 mm
Nominal diameter dn	4.10 mm
Thread length LG1	8.2 mm
Key width SW1	14.0 mm
Spring stroke Z	1.7 mm
Diameter Ds	25.0 mm
Diameter Dmax(S)	26.5 mm
Thread G1	NPT1/8-AG

Design data SFF 25 HT1-60 NPT1/8-AG



WWW.SCHMALZ.COM/10.01.01.14978

1

Flat suction pad (round)

SFF 25 HT1-60 NPT1/8-AG



Art.-Nr.: 10.01.01.14978



Technical data

Suction cup material	High temperature material HT1
Material hardness [Shore A]	60.0 Shore A
Pull-off force	17.90 N
Suction force (-600mbar)	18.50 N
Weight	6.1 g
Volume	1.200 cm ³
Size	25.00
Number of folds	0.0
Product family	SFF

Note: Suction force: The suction force values are theoretical values at -0.6 bar vacuum and a dry, smooth and even workpiece surface – they are specified without safety factors. Hose inner diameter: The recommended hose diameter refers to a hose length of approx. 2 m



Ordering Data Spare Parts 10.01.01.14978

Typ		Item number
Schmalz-Connector	SC 040 NPT1/8-AG	10.01.06.02541
Flat suction cup (round)	SFF 25 HT1-60 SC040	10.01.01.14053



WWW.SCHMALZ.COM/10.01.01.14978