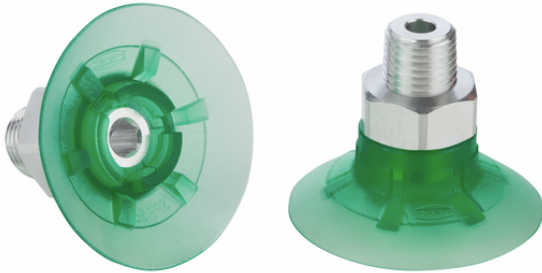


Flat suction cup (round)

SPF 40 ED-65 NPT1/4-AG



Art.-Nr.: 10.01.01.14914



Technical data

Attribute	Value
Suction cup material	Elastodur ED
Material hardness [Shore A]	65.0 Shore A
Size	40.00
Thread G1	NPT1/4"-M

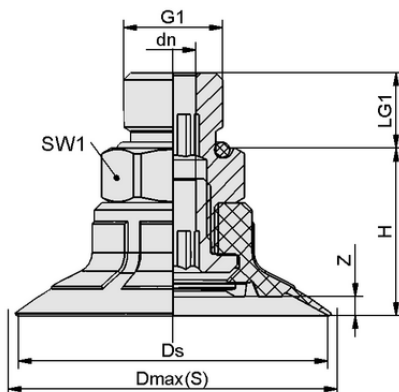
SPF 40 ED-65 NPT1/4-AG

Suction cup SPF (elastomer part + connection element) is delivered assembled. The assembly consists of:

- Suction cup of type SPF – elastomer part, available in various diameters
- Connection element of type SC – available with various threads

Available spare parts: suction cup SPF, Schmalz-Connector

Available accessories: filter screen (sieve, round)



Design data

Attribute	Value
Height H	22.20 mm
Nominal diameter dn	6.10 mm
Thread G1	NPT1/4"-M
Thread length LG1	10.2 mm
Key width SW1	17.0 mm
Spring stroke Z	2.5 mm
Diameter Ds	41.4 mm
Diameter Dmax(S)	43.7 mm

Note: Acceptable dimensional tolerances for elastomer parts concerning to DIN ISO 3302-1 M3

Design data SPF 40 ED-65 NPT1/4-AG



WWW.SCHMALZ.COM/10.01.01.14914

1

Art.-Nr.: 10.01.01.14914

**Technical data**

Attribute	Value
Suction cup material	Elastodur ED
Material hardness [Shore A]	65.0 Shore A
Hose inner diameter (recom.) d	6.0 mm
Workpiece radius min. (convex)	70.0 mm
Pull-off force	62.50 N
Suction force (-600mbar)	49.50 N
Weight	18.80 g
Lateral force	25.0 N
Volume	5.091 cm ³
Size	40.00
Number of folds	0.0
Product family	SPF

Note: Suction force: The suction force values are theoretical values at -0.6 bar vacuum and a dry, smooth and even workpiece surface – they are specified without safety factors. Hose inner diameter: The recommended hose diameter refers to a hose length of approx. 2 m

**Further documentation**

CAD data and other documents relating to the article can be found at: www.schmalz.com/10.01.01.14914

**Ordering Data Spare Parts 10.01.01.14914**

Typ		Item number
Schmalz-Connector	SC 050 NPT1/4-AG MOD	10.01.06.04896
Flat suction cup (round)	SPF 40 ED-65 SC050	10.01.01.12373

