

Bell suction cup (oval)

SAOG-S 80x30 NBR-60 G1/4-IG MOD



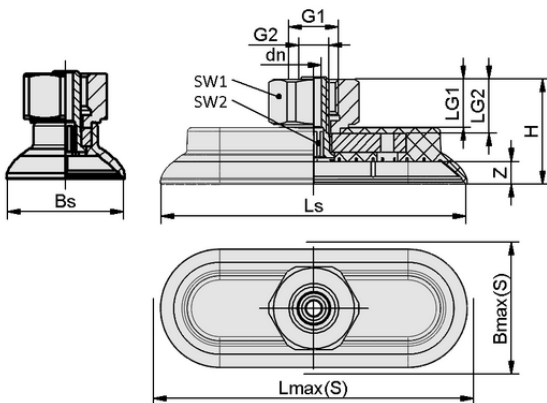
Art.-Nr.: 10.01.01.14900



Technical data

Suction cup material	Nitrile rubber NBR
Material hardness [Shore A]	60.0 Shore A
Connection	G 1/4-IG
Dimension (LxW)	80x30

SAOG-S 80x30 NBR-60 G1/4-IG MOD



Design data

Height H	28.00 mm
Nominal diameter dn	4.00 mm
Thread G1	G 1/4"-F
Thread length LG1	11.0 mm
Key width SW1	22.0 mm
Spring stroke Z	6.0 mm
Suction cup width Bs	30.90 mm
Ls	80.90 mm
Lmax.(S)	86.50 mm
Bmax(S)	37.50 mm

Design data SAOG-S 80x30 NBR-60 G1/4-IG MOD



WWW.SCHMALZ.COM/10.01.01.14900

Art.-Nr.: 10.01.01.14900

**Technical data**

Suction cup material	Nitrile rubber NBR
Hose inner diameter (recom.) d	4.0 mm
Workpiece radius min. (convex)	20.0 mm
Suction force (-600mbar)	105.00 N
Weight	55.00 g
Lateral force	130.0 N
Lateral force oily surface	91.0 N
Volume	11.000 cm ³
Number of folds	0.0
Product family	SAOG-S

Note: Suction force: The suction force values are theoretical values at -0.6 bar vacuum and a dry, smooth and even workpiece surface – they are specified without safety factors. Hose inner diameter: The recommended hose diameter refers to a hose length of approx. 2 m

**Ordering Data Accessories 10.01.01.14900**

Typ		Item number
Suction-cup connection (rigid)	SAUG-ANB G1/4-AG 200 MOD	10.01.03.00343
Universal holder	HTR-UNI 2N G19 140 MOD	10.01.03.00344
Suction-cup connection (rigid)	SAUG-ANB G1/4-AG 140 MOD	10.01.03.00345
Suction-cup connection (rigid)	SAUG-ANB G1/4-AG 80 MOD	10.01.03.00352
Universal holder	HTR-UNI 2N G19 80 MOD	10.01.03.00353

