

Bell suction cup (oval)

SAOG-S 60x20 NBR-60 G1/4-IG MOD



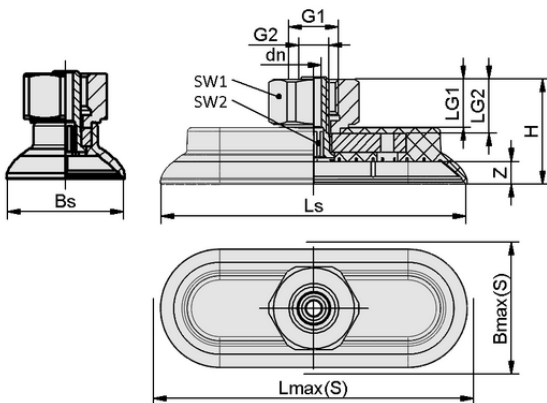
Art.-Nr.: 10.01.01.14899



Technical data

Suction cup material	Nitrile rubber NBR
Material hardness [Shore A]	60.0 Shore A
Connection	G1/4-IG
Dimension (LxW)	60x20

SAOG-S 60x20 NBR-60 G1/4-IG MOD



Design data

Height H	27.00 mm
Nominal diameter dn	4.00 mm
Thread G1	G1/4"-F
Thread length LG1	11.0 mm
Key width SW1	22.0 mm
Spring stroke Z	5.0 mm
Suction cup width Bs	20.90 mm
Ls	60.90 mm
Lmax(S)	65.80 mm
Bmax(S)	25.80 mm

Design data SAOG-S 60x20 NBR-60 G1/4-IG MOD



WWW.SCHMALZ.COM/10.01.01.14899

Art.-Nr.: 10.01.01.14899

**Technical data**

Suction cup material	Nitrile rubber NBR
Hose inner diameter (recom.) d	4.0 mm
Workpiece radius min. (convex)	12.5 mm
Suction force (-600mbar)	56.00 N
Weight	46.90 g
Lateral force	45.0 N
Lateral force oily surface	30.0 N
Volume	4.000 cm ³
Number of folds	0.0
Product family	SAOG-S

Note: Suction force: The suction force values are theoretical values at -0.6 bar vacuum and a dry, smooth and even workpiece surface – they are specified without safety factors. Hose inner diameter: The recommended hose diameter refers to a hose length of approx. 2 m

**Ordering Data Accessories 10.01.01.14899**

Typ		Item number
Suction cup connection (rigid)	SAUG-ANB G1/4-AG 200 MOD	10.01.03.00343
Universal holder	HTR-UNI 2N G19 140 MOD	10.01.03.00344
Suction cup connection (rigid)	SAUG-ANB G1/4-AG 140 MOD	10.01.03.00345
Suction cup connection (rigid)	SAUG-ANB G1/4-AG 80 MOD	10.01.03.00352
Universal holder	HTR-UNI 2N G19 80 MOD	10.01.03.00353

