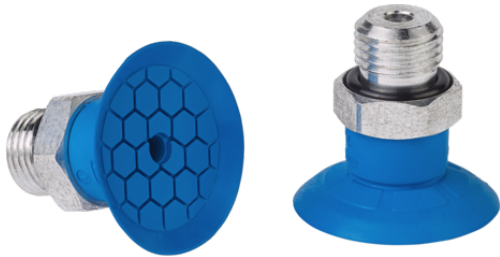


Flat suction pad (round)

SFF 30 HT1-60 G1/4-AG



Art.-Nr.: 10.01.01.14280



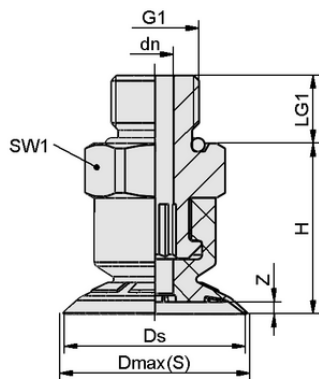
Technical data

Suction cup material	High temperature material HT1
Material hardness [Shore A]	60.0 Shore A
Size	30.00

SFF 30 HT1-60 G1/4-AG

The suction cup SFF / SFB1 (elastomer part + connection nipple) is supplied assembled.

Available spare parts: suction cup SFF / SFB1, connection nipple SC



Design data

Height H	19.50 mm
Nominal diameter dn	4.00 mm
Thread length LG1	10.0 mm
Key width SW1	17.0 mm
Spring stroke Z	2.0 mm
Diameter Ds	30.0 mm
Diameter Dmax(S)	31.5 mm
Thread G1	G1/4-AG

Design data SFF 30 HT1-60 G1/4-AG



WWW.SCHMALZ.COM/10.01.01.14280

Flat suction pad (round)

SFF 30 HT1-60 G1/4-AG



Art.-Nr.: 10.01.01.14280



Technical data

Suction cup material	High temperature material HT1
Material hardness [Shore A]	60.0 Shore A
Pull-off force	25.10 N
Weight	9.80 g
Volume	1.700 cm ³
Size	30.00
Number of folds	0.0
Product family	SFF

Note: Suction force: The suction force values are theoretical values at -0.6 bar vacuum and a dry, smooth and even workpiece surface – they are specified without safety factors. Hose inner diameter: The recommended hose diameter refers to a hose length of approx. 2 m



Ordering Data Spare Parts 10.01.01.14280

Typ		Item number
Flat suction cup (round)	SFF 30 HT1-60 SC040	10.01.01.14054
Schmalz-Connector	SC 040 G1/4-AG	10.01.06.03414



WWW.SCHMALZ.COM/10.01.01.14280