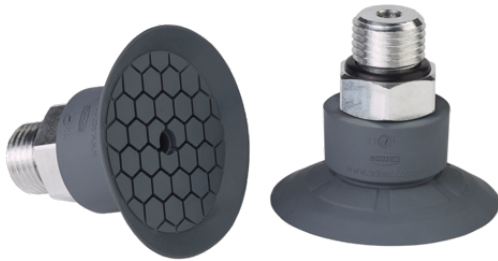


Flat suction pad (round)

## SFF 40 EPDM-45 G1/4-AG



Art.-Nr.: 10.01.01.14270



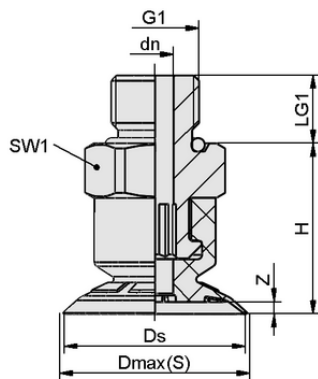
### Technical data

Suction cup material	EPDM
Material hardness [Shore A]	45.0 Shore A
Size	40.00

SFF 40 EPDM-45 G1/4-AG

The suction cup SFF / SFB1 (elastomer part + connection nipple) is supplied assembled.

Available spare parts: suction cup SFF / SFB1, connection nipple SC



### Design data

Height H	26.20 mm
Nominal diameter dn	4.00 mm
Thread length LG1	10.0 mm
Key width SW1	17.0 mm
Spring stroke Z	2.7 mm
Diameter Ds	40.0 mm
Diameter Dmax(S)	42.0 mm
Thread G1	G1/4-AG

Design data SFF 40 EPDM-45 G1/4-AG



[WWW.SCHMALZ.COM/10.01.01.14270](http://WWW.SCHMALZ.COM/10.01.01.14270)

1

Flat suction pad (round)

## SFF 40 EPDM-45 G1/4-AG



Art.-Nr.: 10.01.01.14270



### Technical data

Suction cup material	EPDM
Material hardness [Shore A]	45.0 Shore A
Pull-off force	47.40 N
Weight	17.70 g
Volume	4.300 cm <sup>3</sup>
Size	40.00
Number of folds	0.0
Product family	SFF

Note: Suction force: The suction force values are theoretical values at -0.6 bar vacuum and a dry, smooth and even workpiece surface – they are specified without safety factors. Hose inner diameter: The recommended hose diameter refers to a hose length of approx. 2 m



### Ordering Data Spare Parts 10.01.01.14270

Typ		Item number
Flat suction cup (round)	SFF 40 EPDM-45 SC050	10.01.01.14049
Schmalz-Connector	SC 050 G1/4-AG SW410	10.01.06.04347



[WWW.SCHMALZ.COM/10.01.01.14270](http://WWW.SCHMALZ.COM/10.01.01.14270)