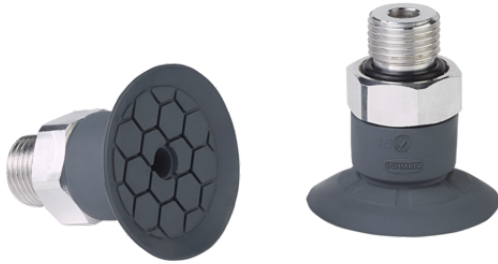


Flat suction pad (round)

SFF 25 EPDM-45 G1/8-AG



Art.-Nr.: 10.01.01.14266



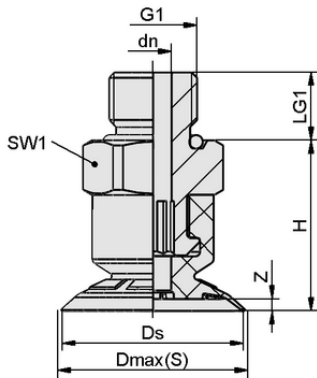
Technical data

Suction cup material	EPDM
Material hardness [Shore A]	45.0 Shore A
Size	25.00

SFF 25 EPDM-45 G1/8-AG

The suction cup SFF / SFB1 (elastomer part + connection nipple) is supplied assembled.

Available spare parts: suction cup SFF / SFB1, connection nipple SC



Design data

Height H	19.20 mm
Nominal diameter dn	4.00 mm
Thread length LG1	7.5 mm
Key width SW1	14.0 mm
Spring stroke Z	1.7 mm
Diameter Ds	25.0 mm
Diameter Dmax(S)	26.5 mm
Thread G1	G1/8-AG

Design data SFF 25 EPDM-45 G1/8-AG



WWW.SCHMALZ.COM/10.01.01.14266

1

Flat suction pad (round)

SFF 25 EPDM-45 G1/8-AG



Art.-Nr.: 10.01.01.14266



Technical data

Suction cup material	EPDM
Material hardness [Shore A]	45.0 Shore A
Pull-off force	17.90 N
Suction force (-600mbar)	17.90 N
Weight	6.10 g
Volume	1.200 cm ³
Size	25.00
Number of folds	0.0
Product family	SFF

Note: Suction force: The suction force values are theoretical values at -0.6 bar vacuum and a dry, smooth and even workpiece surface – they are specified without safety factors. Hose inner diameter: The recommended hose diameter refers to a hose length of approx. 2 m



Ordering Data Spare Parts 10.01.01.14266

Typ		Item number
Flat suction cup (round)	SFF 25 EPDM-45 SC040	10.01.01.14047
Schmalz-Connector	SC 040 G1/8-AG	10.01.06.02490



WWW.SCHMALZ.COM/10.01.01.14266