

Flat suction cup (round)

SUF 12 SI-CO-55 M5-IG



Art.-Nr.: 10.01.01.14175



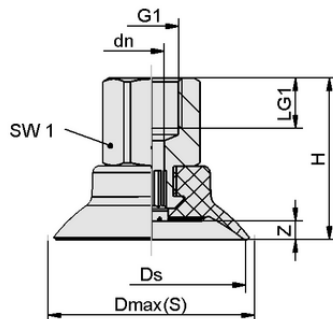
Technical data

Attribute	Value
Suction cup material	Silicone SI conductive
Material hardness [Shore A]	55.0 Shore A
Size	12.00
Vacuum connection	M5-F

SUF 12 SI-CO-55 M5-IG

Suction cup SUF (elastomer part + connector) is delivered assembled.

Available spare parts: suction cup SUF, connector SC



Design data

Attribute	Value
Height H	18.60 mm
Nominal diameter dn	3.10 mm
Thread G1	M5-F
Thread length LG1	5.5 mm
Key width SW1	8.0 mm
Spring stroke Z	1.2 mm
Diameter Ds	12.0 mm
Diameter Dmax(S)	13.2 mm

Design data SUF 12 SI-CO-55 M5-IG



WWW.SCHMALZ.COM/10.01.01.14175

1

Art.-Nr.: 10.01.01.14175

**Technical data**

Attribute	Value
Suction cup material	Silicone SI conductive
Material hardness [Shore A]	55.0 Shore A
Hose inner diameter (recom.) d	2.0 mm
Workpiece radius min. (convex)	12.5 mm
Pull-off force	5.00 N
Suction force (-600mbar)	5.00 N
Weight	1.90 g
Volume	0.120 cm ³
Size	12.00
Number of folds	0.0
Product family	SUF

Note: Suction force: The suction force values are theoretical values at -0.6 bar vacuum and a dry, smooth and even workpiece surface – they are specified without safety factors. Hose inner diameter: The recommended hose diameter refers to a hose length of approx. 2 m

**Further documentation**

CAD data and other documents relating to the article can be found at: www.schmalz.com/10.01.01.14175

**Ordering Data Spare Parts 10.01.01.14175**

Typ		Item number
Schmalz-Connector	SC 030 M5-IG	10.01.06.03440
Flat suction cup (round)	SUF 12 SI-CO-55 SC030	10.01.01.14031

