

Flat suction cup (round)

## SUF 18 HT1-60 G1/8-IG



Art.-Nr.: 10.01.01.14150



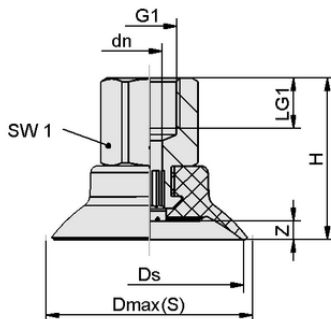
### Technical data

|                             |                               |
|-----------------------------|-------------------------------|
| Suction cup material        | High temperature material HT1 |
| Material hardness [Shore A] | 60.0 Shore A                  |
| Size                        | 18.00                         |
| Vacuum connection           | G 1/8"-F                      |

SUF 18 HT1-60 G1/8-IG

Suction cup SUF (elastomer part + connector) is delivered assembled.

Available spare parts: suction cup SUF, connector SC



### Design data

|                     |          |
|---------------------|----------|
| Height H            | 23.30 mm |
| Nominal diameter dn | 3.10 mm  |
| Thread G1           | G 1/8"-F |
| Thread length LG1   | 8.0 mm   |
| Key width SW1       | 14.0 mm  |
| Spring stroke Z     | 1.8 mm   |
| Diameter Ds         | 18.0 mm  |
| Diameter Dmax(S)    | 20.6 mm  |

Design data SUF 18 HT1-60 G1/8-IG



[WWW.SCHMALZ.COM/10.01.01.14150](http://WWW.SCHMALZ.COM/10.01.01.14150)

1

Flat suction cup (round)

## SUF 18 HT1-60 G1/8-IG



Art.-Nr.: 10.01.01.14150



### Technical data

|                                |                               |
|--------------------------------|-------------------------------|
| Suction cup material           | High temperature material HT1 |
| Material hardness [Shore A]    | 60.0 Shore A                  |
| Hose inner diameter (recom.) d | 4.0 mm                        |
| Workpiece radius min. (convex) | 20.0 mm                       |
| Pull-off force                 | 13.00 N                       |
| Suction force (-600mbar)       | 13.00 N                       |
| Weight                         | 6.10 g                        |
| Volume                         | 0.370 cm <sup>3</sup>         |
| Size                           | 18.00                         |
| Number of folds                | 0.0                           |
| Product family                 | SUF                           |

Note: Suction force: The suction force values are theoretical values at -0.6 bar vacuum and a dry, smooth and even workpiece surface – they are specified without safety factors. Hose inner diameter: The recommended hose diameter refers to a hose length of approx. 2 m



### Ordering Data Spare Parts 10.01.01.14150

| Typ                      |                     | Item number    |
|--------------------------|---------------------|----------------|
| Schmalz-Connector        | SC 030 G1/8-IG      | 10.01.06.04307 |
| Flat suction cup (round) | SUF 18 HT1-60 SC030 | 10.01.01.13990 |



[WWW.SCHMALZ.COM/10.01.01.14150](http://WWW.SCHMALZ.COM/10.01.01.14150)