

Flat suction cup (round)

## SUF 50 HT1-60 G1/8-AG



Art.-Nr.: 10.01.01.14108



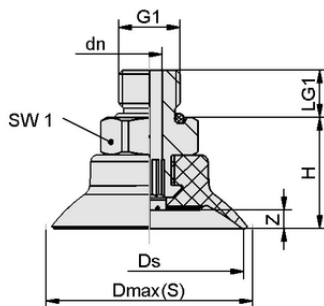
### Technical data

Suction cup material	High temperature material HT1
Material hardness [Shore A]	60.0 Shore A
Size	50.00
Vacuum connection	G 1/8"-M

SUF 50 HT1-60 G1/8-AG

Suction cup SUF (elastomer part + connector) is delivered assembled.

Available spare parts: suction cup SUF, connector SC



### Design data

Height H	24.20 mm
Nominal diameter dn	4.10 mm
Thread G1	G 1/8"-M
Thread length LG1	7.5 mm
Key width SW1	17.0 mm
Spring stroke Z	5.0 mm
Diameter Ds	50.0 mm
Diameter Dmax(S)	54.3 mm

Design data SUF 50 HT1-60 G1/8-AG



[WWW.SCHMALZ.COM/10.01.01.14108](http://WWW.SCHMALZ.COM/10.01.01.14108)

1

Flat suction cup (round)

## SUF 50 HT1-60 G1/8-AG



Art.-Nr.: 10.01.01.14108



### Technical data

Suction cup material	High temperature material HT1
Material hardness [Shore A]	60.0 Shore A
Hose inner diameter (recom.) d	4.0 mm
Workpiece radius min. (convex)	75.0 mm
Pull-off force	95.00 N
Suction force (-600mbar)	95.00 N
Weight	23.10 g
Volume	7.100 cm <sup>3</sup>
Size	50.00
Number of folds	0.0
Product family	SUF

Note: Suction force: The suction force values are theoretical values at -0.6 bar vacuum and a dry, smooth and even workpiece surface – they are specified without safety factors. Hose inner diameter: The recommended hose diameter refers to a hose length of approx. 2 m



### Ordering Data Spare Parts 10.01.01.14108

Typ		Item number
Schmalz-Connector	SC 050 G1/8-AG	10.01.06.04250
Flat suction cup (round)	SUF 50 HT1-60 SC050	10.01.01.13996



[WWW.SCHMALZ.COM/10.01.01.14108](http://WWW.SCHMALZ.COM/10.01.01.14108)