

Flat suction cup (round)

SUF 40 HT1-60 G1/8-AG



Art.-Nr.: 10.01.01.14107



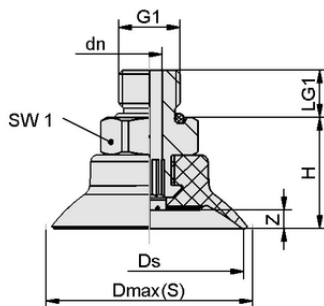
Technical data

Suction cup material	High temperature material HT1
Material hardness [Shore A]	60.0 Shore A
Size	40.00
Vacuum connection	G 1/8"-M

SUF 40 HT1-60 G1/8-AG

Suction cup SUF (elastomer part + connector) is delivered assembled.

Available spare parts: suction cup SUF, connector SC



Design data

Height H	23.20 mm
Nominal diameter dn	4.10 mm
Thread G1	G 1/8"-M
Thread length LG1	7.5 mm
Key width SW1	17.0 mm
Spring stroke Z	4.0 mm
Diameter Ds	40.0 mm
Diameter Dmax(S)	44.0 mm

Design data SUF 40 HT1-60 G1/8-AG



WWW.SCHMALZ.COM/10.01.01.14107

1

Flat suction cup (round)

SUF 40 HT1-60 G1/8-AG



Art.-Nr.: 10.01.01.14107



Technical data

Suction cup material	High temperature material HT1
Material hardness [Shore A]	60.0 Shore A
Hose inner diameter (recom.) d	4.0 mm
Workpiece radius min. (convex)	50.0 mm
Pull-off force	61.00 N
Suction force (-600mbar)	61.00 N
Weight	17.10 g
Volume	3.800 cm ³
Size	40.00
Number of folds	0.0
Product family	SUF

Note: Suction force: The suction force values are theoretical values at -0.6 bar vacuum and a dry, smooth and even workpiece surface – they are specified without safety factors. Hose inner diameter: The recommended hose diameter refers to a hose length of approx. 2 m



Ordering Data Spare Parts 10.01.01.14107

Typ		Item number
Schmalz-Connector	SC 050 G1/8-AG	10.01.06.04250
Flat suction cup (round)	SUF 40 HT1-60 SC050	10.01.01.13995



WWW.SCHMALZ.COM/10.01.01.14107