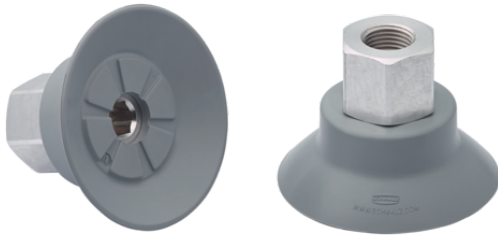


Flat suction cup (round)

SUF 35 NBR-55 G1/8-IG



Art.-Nr.: 10.01.01.14093



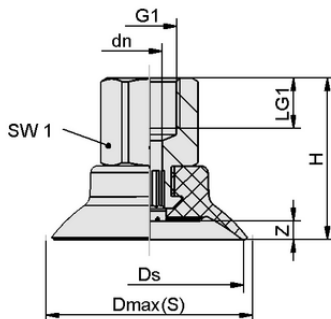
Technical data

Attribute	Value
Suction cup material	Nitrile rubber NBR
Material hardness [Shore A]	55.0 Shore A
Size	35.00
Vacuum connection	G1/8"-F

SUF 35 NBR-55 G1/8-IG

Suction cup SUF (elastomer part + connector) is delivered assembled.

Available spare parts: suction cup SUF, connector SC



Design data

Attribute	Value
Height H	28.90 mm
Nominal diameter dn	6.10 mm
Thread G1	G1/8"-F
Thread length LG1	8.0 mm
Key width SW1	17.0 mm
Spring stroke Z	3.5 mm
Diameter Ds	35.0 mm
Diameter Dmax(S)	39.2 mm

Design data SUF 35 NBR-55 G1/8-IG



WWW.SCHMALZ.COM/10.01.01.14093

1

Art.-Nr.: 10.01.01.14093

**Technical data**

Attribute	Value
Suction cup material	Nitrile rubber NBR
Material hardness [Shore A]	55.0 Shore A
Hose inner diameter (recom.) d	4.0 mm
Workpiece radius min. (convex)	40.0 mm
Pull-off force	46.00 N
Suction force (-600mbar)	46.00 N
Weight	15.90 g
Volume	2.400 cm ³
Size	35.00
Number of folds	0.0
Product family	SUF

Note: Suction force: The suction force values are theoretical values at -0.6 bar vacuum and a dry, smooth and even workpiece surface – they are specified without safety factors. Hose inner diameter: The recommended hose diameter refers to a hose length of approx. 2 m

**Further documentation**

CAD data and other documents relating to the article can be found at: www.schmalz.com/10.01.01.14093

**Ordering Data Spare Parts 10.01.01.14093**

Typ		Item number
Flat suction cup (round)	SUF 35 NBR-55 SC050	10.01.01.13950
Schmalz-Connector	SC 050 G1/8-IG	10.01.06.04308

