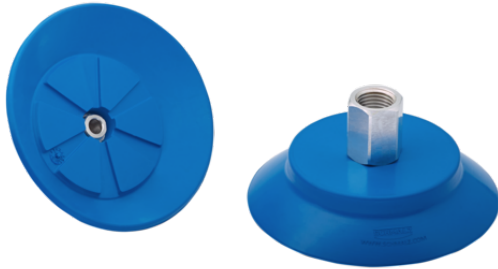


Flat suction cup (round)

SUF 90 HT1-60 G1/4-IG



Art.-Nr.: 10.01.01.14085



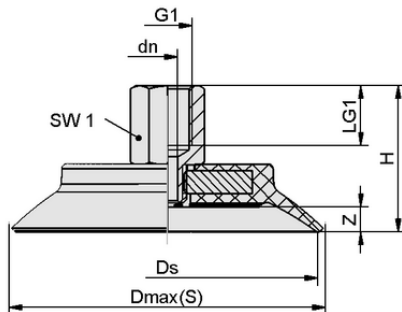
Technical data

Attribute	Value
Suction cup material	High temperature material HT1
Material hardness [Shore A]	60.0 Shore A
Size	90.00
Vacuum connection	G1/4"-F

SUF 90 HT1-60 G1/4-IG

Suction cup SUF (elastomer part + connector) is delivered assembled.

Available spare parts: suction cup SUF, connector SC



Design data

Attribute	Value
Height H	35.40 mm
Nominal diameter dn	5.10 mm
Thread G1	G1/4"-F
Thread length LG1	12.0 mm
Key width SW1	17.0 mm
Spring stroke Z	7.0 mm
Diameter Ds	90.0 mm
Diameter Dmax(S)	98.1 mm

Design data SUF 90 HT1-60 G1/4-IG



WWW.SCHMALZ.COM/10.01.01.14085

1

Flat suction cup (round)

SUF 90 HT1-60 G1/4-IG



Art.-Nr.: 10.01.01.14085



Technical data

Attribute	Value
Suction cup material	High temperature material HT1
Material hardness [Shore A]	60.0 Shore A
Hose inner diameter (recom.) d	6.0 mm
Workpiece radius min. (convex)	150.0 mm
Pull-off force	328.00 N
Suction force (-600mbar)	328.00 N
Weight	99.80 g
Volume	34.300 cm ³
Size	90.00
Number of folds	0.0
Product family	SUF

Note: Suction force: The suction force values are theoretical values at -0.6 bar vacuum and a dry, smooth and even workpiece surface – they are specified without safety factors. Hose inner diameter: The recommended hose diameter refers to a hose length of approx. 2 m



Further documentation

CAD data and other documents relating to the article can be found at: www.schmalz.com/10.01.01.14085



WWW.SCHMALZ.COM/10.01.01.14085