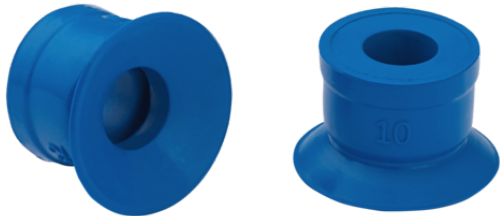


Flat suction cup (round)

## SUF 6 HT1-60 SC020



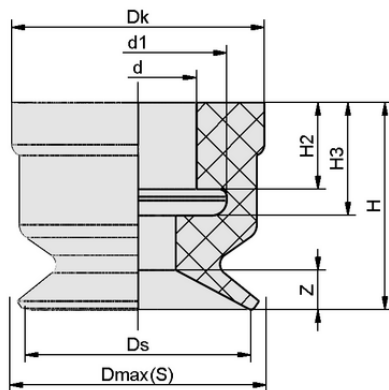
Art.-Nr.: 10.01.01.13985



### Technical data

Suction cup material	High temperature material HT1
Material hardness [Shore A]	60.0 Shore A
Size	6.00

SUF 6 HT1-60 SC020



### Design data

Height H2	2.30 mm
Height H	5.50 mm
Head diameter Dk	6.7 mm
Internal diameter d1	4.7 mm
Internal diameter d	3.10 mm
Spring stroke Z	0.6 mm
Diameter Ds	6.0 mm
Height H3	3.00 mm
Diameter Dmax(S)	6.8 mm

Design data SUF 6 HT1-60 SC020



[WWW.SCHMALZ.COM/10.01.01.13985](http://WWW.SCHMALZ.COM/10.01.01.13985)

1

Flat suction cup (round)

## SUF 6 HT1-60 SC020



Art.-Nr.: 10.01.01.13985



### Technical data

Suction cup material	High temperature material HT1
Material hardness [Shore A]	60.0 Shore A
Workpiece radius min. (convex)	8.0 mm
Pull-off force	1.40 N
Suction force (-600mbar)	1.40 N
Weight	0.15 g
Volume	0.020 cm <sup>3</sup>
Size	6.00
Product family	SUF
Interface nipple family	SC020

Note: Suction force: The suction force values are theoretical values at -0.6 bar vacuum and a dry, smooth and even workpiece surface – they are specified without safety factors. Hose inner diameter: The recommended hose diameter refers to a hose length of approx. 2 m



### Ordering Data Accessories 10.01.01.13985

Typ		Item number
Schmalz-Connector	SC 020 M5-AG	10.01.06.04273
Schmalz-Connector	SC 020 M5-IG	10.01.06.04306



[WWW.SCHMALZ.COM/10.01.01.13985](http://WWW.SCHMALZ.COM/10.01.01.13985)