

Flat suction cup (round)

PFG 20 NBR-ESD-55 N006



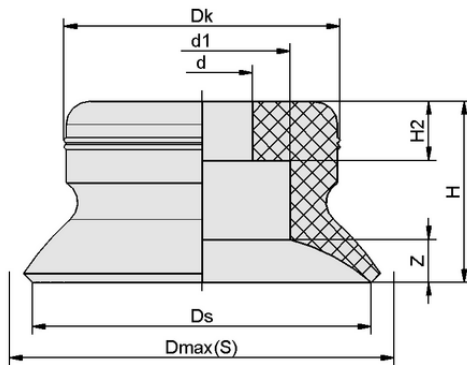
Art.-Nr.: 10.01.01.13786



Technical data

Attribute	Value
Suction cup material	Nitrile rubber NBR-ESD
Material hardness [Shore A]	55.0 Shore A
Size	20.00

PFG 20 NBR-ESD-55 N006



Design data

Attribute	Value
Height H2	4.50 mm
Height H	10.00 mm
Head diameter Dk	15.2 mm
Internal diameter d1	11.0 mm
Internal diameter d	4.50 mm
Spring stroke Z	2.2 mm
Diameter Ds	20.0 mm
Diameter Dmax(S)	23.0 mm

Note: Acceptable dimensional tolerances for elastomer parts concerning to DIN ISO 3302-1 M3

Design data PFG 20 NBR-ESD-55 N006



WWW.SCHMALZ.COM/10.01.01.13786

Flat suction cup (round)

PFG 20 NBR-ESD-55 N006



Art.-Nr.: 10.01.01.13786



Technical data

Attribute	Value
Nipple family	N 006
Suction cup material	Nitrile rubber NBR-ESD
Material hardness [Shore A]	55.0 Shore A
Workpiece radius min. (convex)	20.0 mm
Suction force (-600mbar)	15.50 N
Volume	0.864 cm ³
Size	20.00
Product family	PFG

Note: Suction force: The suction force values are theoretical values at -0.6 bar vacuum and a dry, smooth and even workpiece surface – they are specified without safety factors. Hose inner diameter: The recommended hose diameter refers to a hose length of approx. 2 m



Further documentation

CAD data and other documents relating to the article can be found at: www.schmalz.com/10.01.01.13786



Ordering Data Accessories 10.01.01.13786

Typ		Item number
Suction Cup Connection Nipples	SA-NIP N006 G1/8-AG DN200	10.01.01.03530
Suction Cup Connection Nipples	SA-NIP N006 G1/8-IG DN200	10.01.01.03522



WWW.SCHMALZ.COM/10.01.01.13786