

Technical data

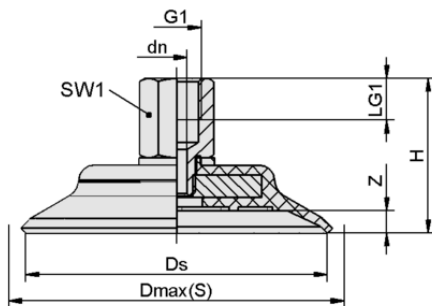
Suction cup material	High temperature material HT1
Material hardness [Shore A]	60.0 Shore A
Size	95.00
Vacuum connection	G 1/4"-F
Nipple material	Aluminum

PFYN 95 HT1-60 G1/4-IG

Suction cup PFYN (elastomer part + connection nipple) is delivered unassembled (diameters of 120 mm and more are assembled). The delivery consists of:

- Suction cup of type PFG – elastomer part, available in various diameters and materials
- Connection nipple of type SA-NIP – available with various threads

Available spare parts: suction cup PFG, connection nipple SA-NIP



Design data

Height H	41.50 mm
Nominal diameter dn	5.50 mm
Thread G1	G 1/4"-F
Thread length LG1	11.0 mm
Key width SW1	17.0 mm
Spring stroke Z	6.0 mm
Diameter Ds	95.0 mm
Diameter Dmax(S)	102.0 mm

Note: Acceptable dimensional tolerances for elastomer parts concerning to DIN ISO 3302-1 M3

Design data PFYN 95 HT1-60 G1/4-IG

Flat suction cup (round)

PFYN 95 HT1-60 G1/4-IG



Art.-Nr.: 10.01.01.13762



Technical data

Suction cup material	High temperature material HT1
Material hardness [Shore A]	60.0 Shore A
Hose inner diameter (recom.) d	6.0 mm
Workpiece radius min. (convex)	200.0 mm
Suction force (-600mbar)	350.00 N
Weight	104.90 g
Volume	35.000 cm ³
Size	95.00
Number of folds	0.0
Product family	PFYN

Note: Suction force: The suction force values are theoretical values at -0.6 bar vacuum and a dry, smooth and even workpiece surface – they are specified without safety factors. Hose inner diameter: The recommended hose diameter refers to a hose length of approx. 2 m



Ordering Data Spare Parts 10.01.01.13762

Typ	Item number
Suction cup connection nipple (inst) SA-NIP N009 G1/4-IG	10.01.01.10096



Ordering Data Wear Parts 10.01.01.13762

Typ	Item number
Flat suction cup (round) PFG 95 HT1-60 N009 M10x1.25-IG	10.01.01.13160



WWW.SCHMALZ.COM/10.01.01.13762