

Suction plate (round)

## SGF 150 HT1-60 G1/2-IG



Art.-Nr.: 10.01.01.13021



### Technical data

Attribute	Value
Suction cup material	High temperature material HT1
Material hardness [Shore A]	60.0 Shore A
Size	150.00
Connection	G1/2"-F

SGF 150 HT1-60 G1/2-IG

Suction plate SGF (sealing ring + support plate) is delivered assembled. The assembly consists of:

- Sealing ring of type DR-SGF – elastomer part, available in various diameters
- Aluminum support plate – available with various threads

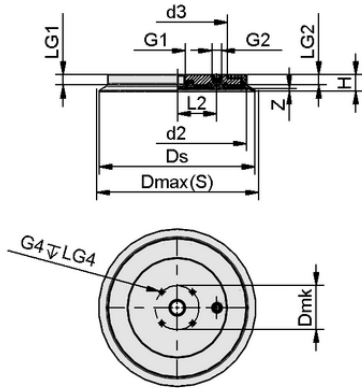
Available spare parts: sealing ring of type DR-SGF

Available accessories: touch valve, filter screen (sieve, round)



[WWW.SCHMALZ.COM/10.01.01.13021](http://WWW.SCHMALZ.COM/10.01.01.13021)

1

**Design data**

Attribute	Value
Length L2	36.50 mm
Height H	21.70 mm
d2	125.0 mm
Thread G1	G1/2"-F
Thread length LG1	14.0 mm
Thread G2	G1/4"-F
Thread length LG2	14.0 mm
Hole size d3	93.0 mm
Dmk	58.3 mm
Spring stroke Z	3.3 mm
Diameter Ds	148.3 mm
Thread length LG4	10.5 mm
Diameter Dmax(S)	156.0 mm
Thread G4	M6-F

Note: Acceptable dimensional tolerances for elastomer parts concerning to DIN ISO 3302-1 M3

Design data SGF 150 HT1-60 G1/2-IG

**Technical data**

Attribute	Value
Suction cup material	High temperature material HT1
Material hardness [Shore A]	60.0 Shore A
Hose inner diameter (recom.) d	9.0 mm
Workpiece radius min. (convex)	2,000.0 mm
Suction force (-600mbar)	1,060.00 N
Weight	490.00 g
Volume	64.876 cm <sup>3</sup>
Size	150.00
Suction force d2	730.00 N
Number of folds	0.0
Product family	SGF

Note: Suction force: The specified suction forces are theoretical values at a vacuum of -0.6 bar and with a dry, smooth and even workpiece surface - they do not include a safety factor Hose diameter: The recommended hose diameter refers to a hose length of approx. 2 m

**Further documentation**

CAD data and other documents relating to the article can be found at: [www.schmalz.com/10.01.01.13021](http://www.schmalz.com/10.01.01.13021)



Suction plate (round)

## SGF 150 HT1-60 G1/2-IG



Art.-Nr.: 10.01.01.13021



### Ordering Data Accessories 10.01.01.13021

Typ		Item number
Sieve, round	SIEB 27x1 MS-A2 130 0.13/0.06	10.07.01.00110
Touch Valve	TV G1/4-AG 13	10.05.10.00061
Protection Covers	PC 150	10.01.01.13087
Suction cup cover	SU 160	10.01.01.12438
Flexolink HD	FLK-HD G3/8-AG	10.07.06.00235
Flexolink HD	FLK-HD G1/4-IG	10.07.06.00241
Flexolink HD	FLK-HD G1/2-IG	10.07.06.00242



### Ordering Data Spare Parts 10.01.01.13021

Typ		Item number
Sealing screw without collar	VRS-S G1/4-AG	10.08.06.00048
Sealing ring for SGF suction plate	DR-SGF 150 HT1-60	10.01.01.13020



[WWW.SCHMALZ.COM/10.01.01.13021](http://WWW.SCHMALZ.COM/10.01.01.13021)