

Suction plate (round)

SGF 200 EPDM-55 G1/2-IG



Art.-Nr.: 10.01.01.12476



Technical data

Suction cup material	EPDM
Material hardness [Shore A]	55.0 Shore A
Size	200.00
Connection	G 1/2"-F

SGF 200 EPDM-55 G1/2-IG

Suction plate SGF (sealing ring + support plate) is delivered assembled. The assembly consists of:

- Sealing ring of type DR-SGF – elastomer part, available in various diameters
- Aluminum support plate – available with various threads

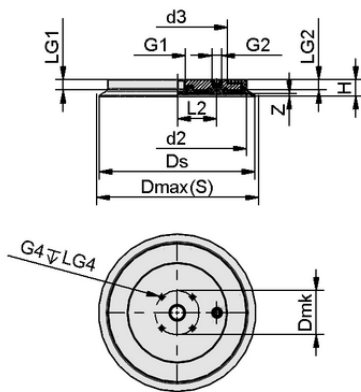
Available spare parts: sealing ring of type DR-SGF

Available accessories: touch valve, filter screen (sieve, round)



WWW.SCHMALZ.COM/10.01.01.12476

1

**Design data**

Length L2	52.80 mm
Height H	22.00 mm
d2	185.0 mm
Thread G1	G1/2"-F
Thread length LG1	14.0 mm
Thread G2	G1/4"-F
Thread length LG2	14.0 mm
Hole size d3	134.0 mm
Dmk	58.3 mm
Spring stroke Z	3.6 mm
Diameter Ds	206.0 mm
Thread length LG4	10.5 mm
Diameter Dmax(S)	213.0 mm
Thread G4	M6-F

Note: Acceptable dimensional tolerances for elastomer parts concerning to DIN ISO 3302-1 M3

Design data SGF 200 EPDM-55 G1/2-IG

**Technical data**

Suction cup material	EPDM
Material hardness [Shore A]	55.0 Shore A
Hose inner diameter (recom.) d	12.0 mm
Workpiece radius min. (convex)	3,500.0 mm
Suction force (-600mbar)	1,880.00 N
Weight	1,040.00 g
Volume	144.065 cm ³
Size	200.00
Suction force d2	1,610.00 N
Number of folds	0.0
Product family	SGF

Note: Suction force: The specified suction forces are theoretical values at a vacuum of -0.6 bar and with a dry, smooth and even workpiece surface - they do not include a safety factor
Hose diameter: The recommended hose diameter refers to a hose length of approx. 2 m

Suction plate (round)

SGF 200 EPDM-55 G1/2-IG



Art.-Nr.: 10.01.01.12476



Ordering Data Accessories 10.01.01.12476

Typ		Item number
Sieve, round	SIEB 27x1 MS-A2 130 0.13/0.06	10.07.01.00110
Touch Valve	TV G1/4-AG 13	10.05.10.00061
Protection Covers	PC 200	10.01.01.13089
Suction cup cover	SU 210	10.01.01.12439
Flexolink HD	FLK-HD G3/8-AG	10.07.06.00235
Flexolink HD	FLK-HD G1/4-IG	10.07.06.00241
Flexolink HD	FLK-HD G1/2-IG	10.07.06.00242



Ordering Data Spare Parts 10.01.01.12476

Typ		Item number
Sealing screw without collar	VRS-S G1/4-AG	10.08.06.00048
Sealing ring for SGF suction plate	DR-SGF 200 EPDM-55	10.01.01.12474



WWW.SCHMALZ.COM/10.01.01.12476