

Art.-Nr.: 10.01.01.12222



## Technical data

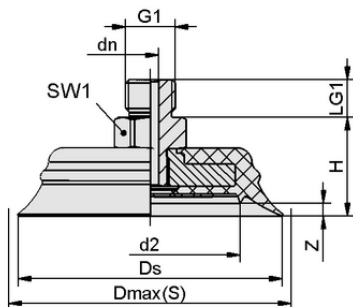
Suction cup material	Natural rubber NK
Material hardness [Shore A]	45.0 Shore A
Size	70.00
Connection	G 1/4-AG
Type	E

SHFN 70 NK-45 G1/4-AG E MOS-TV

Suction cup SHFN (elastomer part + connection nipple) is delivered assembled.  
The assembly consists of:

- Suction cup of type SHF – elastomer part, available in various diameters
- Connection nipple of type SA-NIP – available with various threads
- Optional product addition: sealing ring and touch valve

Available spare parts: suction cup SHF, connection nipple SA-NIP and RED-NIP, sealing ring, touch valve  
Available accessories: filter screen (sieve, round)



## Design data

Height H	33.40 mm
Nominal diameter dn	4.40 mm
d2	36.0 mm
Thread G1	G 1/4"-M
Thread length LG1	10.0 mm
Key width SW1	17.0 mm
Spring stroke Z	4.0 mm
Diameter Ds	70.0 mm
Diameter Dmax(S)	74.0 mm

Note: Acceptable dimensional tolerances for elastomer parts concerning to DIN ISO 3302-1 M3

Design data SHFN 70 NK-45 G1/4-AG E MOS-TV



Art.-Nr.: 10.01.01.12222

**Technical data**

Suction cup material	Natural rubber NK
Hose inner diameter (recom.) d	6.0 mm
Workpiece radius min. (convex)	95.0 mm
Suction force (-600mbar)	200.00 N
Weight	67.00 g
Lateral force	145.0 N
Volume	16.000 cm <sup>3</sup>
Size	70.00
Suction force d2	100.00 N
Number of folds	0.0
Product family	SHFN

Note: Suction force: The specified suction forces are theoretical values at a vacuum of -0.6 bar and with a dry, smooth and even workpiece surface - they do not include a safety factor Pull-off force: The pull-off force of the versions made of natural rubber is reduced by about 40% Hose diameter: The recommended hose diameter refers to a hose length of approx. 2 m

**Ordering Data Accessories 10.01.01.12222**

Typ		Item number
Sieve, round	SIEB 14.5x1 MS-A2 0.103/0.15	10.05.03.00023

**Ordering Data Spare Parts 10.01.01.12222**

Typ		Item number
Sealing ring	DR 46/36x5 S05 EPDM-15 KE	10.01.06.01678
Touch Valve	TVN G1/4-AG 9 N009	10.05.10.00065

