

Flat suction cup (round)

SGPN 20 SI-50 M5-AG



Art.-Nr.: 10.01.01.11983



Technical data

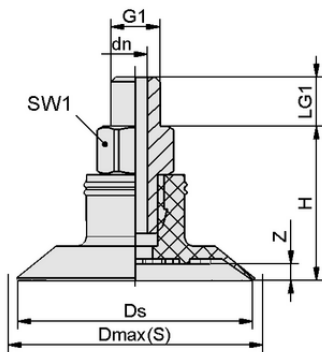
Suction cup material	Silicone SI
Material hardness [Shore A]	50.0 Shore A
Size	20.00
Material characteristics	FDA
Vacuum connection	M5-M
Nipple material	Aluminum

SGPN 20 SI-50 M5-AG

Flat suction cup SGPN (elastomer part + connection nipple) is delivered unassembled. The delivery consists of:

- Suction cup of type SGP – elastomer part, available in various diameters and materials
- Connection nipple of type SA-NIP – available with various threads

Available spare parts: suction cup SGP, connection nipple SA-NIP



Design data

Height H	15.40 mm
Nominal diameter dn	2.50 mm
Thread G1	M5-M
Thread length LG1	5.0 mm
Key width SW1	7.0 mm
Spring stroke Z	1.5 mm
Diameter Ds	20.0 mm
Diameter Dmax(S)	22.0 mm

Note: Acceptable dimensional tolerances for elastomer parts concerning to DIN ISO 3302-1 M3

Design data SGPN 20 SI-50 M5-AG



WWW.SCHMALZ.COM/10.01.01.11983

1

Flat suction cup (round)

SGPN 20 SI-50 M5-AG



Art.-Nr.: 10.01.01.11983



Technical data

Suction cup material	Silicone SI
Material hardness [Shore A]	50.0 Shore A
Hose inner diameter (recom.) d	2.0 mm
Suction force (-600mbar)	8.50 N
Weight	2.50 g
Volume	0.600 cm ³
Size	20.00
Number of folds	0.0
Product family	SGPN

Note: Suction force: The suction force values are theoretical values at -0.6 bar vacuum and a dry, smooth and even workpiece surface – they are specified without safety factors. Hose inner diameter: The recommended hose diameter refers to a hose length of approx. 2 m



Ordering Data Spare Parts 10.01.01.11983

Typ	Item number
Suction Cup Connection Nipples	SA-NIP N016 M5-AG DN250 10.01.06.00123



Ordering Data Wear Parts 10.01.01.11983

Typ	Item number
Flat suction cup (round)	SGP 20 SI-50 N016 10.01.01.11571



WWW.SCHMALZ.COM/10.01.01.11983