



Technical data

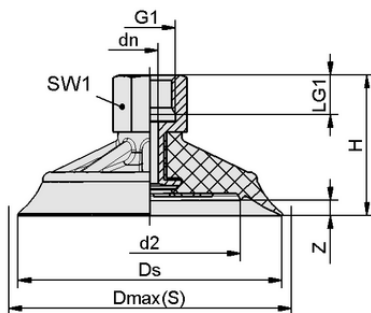
Attribute	Value
Suction cup material	Natural rubber NK
Material hardness [Shore A]	45.0 Shore A
Size	85.00
Connection	G1/4-IG
Nipple material	Aluminum

SHFN 85 NK-45 G1/4-IG

Suction cup SHFN (elastomer part + connection nipple) is delivered assembled.
The assembly consists of:

- Suction cup of type SHF – elastomer part, available in various diameters
- Connection nipple of type SA-NIP – available with various threads
- Optional product addition: sealing ring and touch valve

Available spare parts: suction cup SHF, connection nipple SA-NIP and RED-NIP, sealing ring, touch valve
Available accessories: filter screen (sieve, round)



Design data

Attribute	Value
Height H	37.20 mm
Nominal diameter dn	4.40 mm
d2	62.0 mm
Thread G1	G1/4"-F
Thread length LG1	11.0 mm
Key width SW1	17.0 mm
Spring stroke Z	4.0 mm
Diameter Ds	85.0 mm
Diameter Dmax(S)	89.0 mm

Note: Acceptable dimensional tolerances for elastomer parts concerning to DIN ISO 3302-1 M3

Design data SHFN 85 NK-45 G1/4-IG

Art.-Nr.: 10.01.01.11776

**Technical data**

Attribute	Value
Suction cup material	Natural rubber NK
Hose inner diameter (recom.) d	6.0 mm
Workpiece radius min. (convex)	176.0 mm
Suction force (-600mbar)	300.00 N
Weight	44.80 g
Lateral force	210.0 N
Volume	25.000 cm ³
Size	85.00
Suction force d2	175.00 N
Number of folds	0.0
Product family	SHFN

Note: Suction force: The specified suction forces are theoretical values at a vacuum of -0.6 bar and with a dry, smooth and even workpiece surface - they do not include a safety factor Pull-off force: The pull-off force of the versions made of natural rubber is reduced by about 40% Hose diameter: The recommended hose diameter refers to a hose length of approx. 2 m

**Further documentation**

CAD data and other documents relating to the article can be found at: www.schmalz.com/10.01.01.11776

**Ordering Data Accessories 10.01.01.11776**

Typ		Item number
Sieve, round	SIEB 15x0.8 MS-A2 0.103/0.07	10.07.01.00211

**Ordering Data Spare Parts 10.01.01.11776**

Typ		Item number
Suction Cup Connection Nipples	SA-NIP N041 G1/4-IG DN440	10.01.01.11822
Flat suction cup (round)	SHF 85 NK-45 N041	10.01.01.11773

