

Technical data

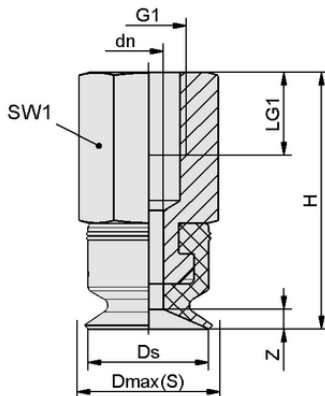
Suction cup material	High temperature material HT1
Material hardness [Shore A]	60.0 Shore A
Size	8.00
Vacuum connection	M5-F
Nipple material	Aluminum
Material property	non-marking

PFYN 8 HT1-60 M5-IG

Suction cup PFYN (elastomer part + connection nipple) is delivered unassembled (diameters of 120 mm and more are assembled). The delivery consists of:

- Suction cup of type PFG – elastomer part, available in various diameters and materials
- Connection nipple of type SA-NIP – available with various threads

Available spare parts: suction cup PFG, connection nipple SA-NIP



Design data

Height H	17.00 mm
Nominal diameter dn	2.00 mm
Thread G1	M5-F
Thread length LG1	5.5 mm
Key width SW1	8.0 mm
Spring stroke Z	1.3 mm
Diameter Ds	8.0 mm
Diameter Dmax(S)	9.0 mm

Note: Acceptable dimensional tolerances for elastomer parts concerning to DIN ISO 3302-1 M3

Design data PFYN 8 HT1-60 M5-IG

Flat suction cup (round)

PFYN 8 HT1-60 M5-IG



Art.-Nr.: 10.01.01.11146



Technical data

Suction cup material	High temperature material HT1
Material hardness [Shore A]	60.0 Shore A
Hose inner diameter (recom.) d	2.0 mm
Workpiece radius min. (convex)	10.0 mm
Suction force (-600mbar)	2.30 N
Weight	1.50 g
Volume	0.030 cm ³
Size	8.00
Number of folds	0.0
Product family	PFYN

Note: Suction force: The suction force values are theoretical values at -0.6 bar vacuum and a dry, smooth and even workpiece surface – they are specified without safety factors. Hose inner diameter: The recommended hose diameter refers to a hose length of approx. 2 m



Ordering Data Spare Parts 10.01.01.11146

Typ		Item number
Suction Cup Connection Nipples	SA-NIP N004 M5-IG DN200	10.01.01.03518



Ordering Data Wear Parts 10.01.01.11146

Typ		Item number
Flat suction cup (round)	PFG 8 HT1-60 N004	10.01.01.11160



WWW.SCHMALZ.COM/10.01.01.11146