

Flat suction cup (round)

PFYN 30 HT1-60 G1/8-AG



Art.-Nr.: 10.01.01.11138



Technical data

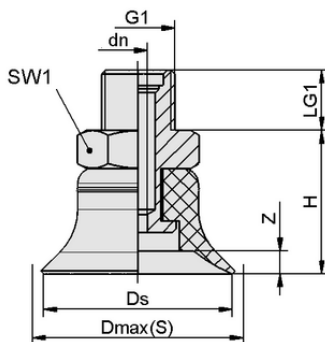
Suction cup material	High temperature material HT1
Material hardness [Shore A]	60.0 Shore A
Size	30.00
Vacuum connection	G1/8"-M
Nipple material	Aluminum
Material property	non-marking

PFYN 30 HT1-60 G1/8-AG

Suction cup PFYN (elastomer part + connection nipple) is delivered unassembled (diameters of 120 mm and more are assembled). The delivery consists of:

- Suction cup of type PFG – elastomer part, available in various diameters and materials
- Connection nipple of type SA-NIP – available with various threads

Available spare parts: suction cup PFG, connection nipple SA-NIP



Design data

Height H	17.00 mm
Nominal diameter dn	2.40 mm
Thread G1	G1/8"-M
Thread length LG1	8.0 mm
Key width SW1	14.0 mm
Spring stroke Z	2.0 mm
Diameter Ds	28.8 mm
Diameter Dmax(S)	31.5 mm

Note: Acceptable dimensional tolerances for elastomer parts concerning to DIN ISO 3302-1 M3

Design data PFYN 30 HT1-60 G1/8-AG



WWW.SCHMALZ.COM/10.01.01.11138

1

Art.-Nr.: 10.01.01.11138

**Technical data**

Suction cup material	High temperature material HT1
Material hardness [Shore A]	60.0 Shore A
Hose inner diameter (recom.) d	4.0 mm
Workpiece radius min. (convex)	40.0 mm
Suction force (-600mbar)	34.00 N
Weight	7.90 g
Volume	1.300 cm ³
Size	30.00
Number of folds	0.0
Product family	PFYN

Note: Suction force: The suction force values are theoretical values at -0.6 bar vacuum and a dry, smooth and even workpiece surface – they are specified without safety factors. Hose inner diameter: The recommended hose diameter refers to a hose length of approx. 2 m

**Ordering Data Accessories 10.01.01.11138**

Typ	Item number
Suction cup cover SU 30	10.01.01.12889

**Ordering Data Spare Parts 10.01.01.11138**

Typ	Item number
Suction Cup Connection Nipples SA-NIP N007 G1/8-AG DN240	10.01.01.03531

**Ordering Data Wear Parts 10.01.01.11138**

Typ	Item number
Flat suction cup (round) PFG 30 HT1-60 N007	10.01.01.11165

