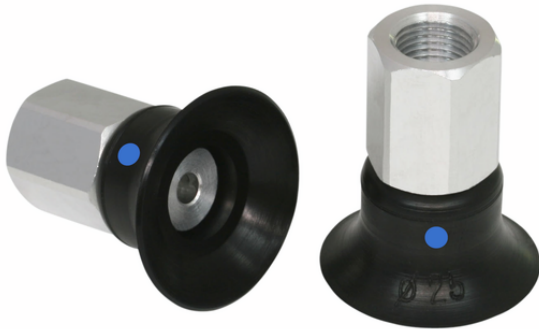


Flat suction cup (round)

## PFYN 25 NBR-CO-55 G1/8-IG



Art.-Nr.: 10.01.01.10352



### Technical data

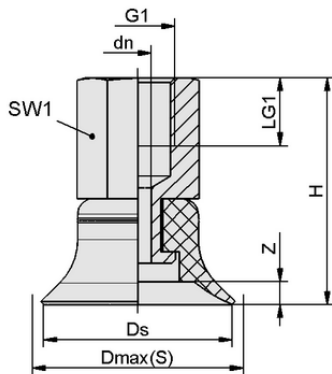
Suction cup material	Nitrile rubber NBR-conductive
Material hardness [Shore A]	55.0 Shore A
Size	25.00
Vacuum connection	G 1/8"-F
Nipple material	Aluminum

PFYN 25 NBR-CO-55 G1/8-IG

Suction cup PFYN (elastomer part + connection nipple) is delivered unassembled (diameters of 120 mm and more are assembled). The delivery consists of:

- Suction cup of type PFG – elastomer part, available in various diameters and materials
- Connection nipple of type SA-NIP – available with various threads

Available spare parts: suction cup PFG, connection nipple SA-NIP



### Design data

Height H	30.00 mm
Nominal diameter dn	3.50 mm
Thread G1	G 1/8"-F
Thread length LG1	9.0 mm
Key width SW1	14.0 mm
Spring stroke Z	3.0 mm
Diameter Ds	25.0 mm
Diameter Dmax(S)	27.5 mm

Note: Acceptable dimensional tolerances for elastomer parts concerning to DIN ISO 3302-1 M3

Design data PFYN 25 NBR-CO-55 G1/8-IG



[WWW.SCHMALZ.COM/10.01.01.10352](http://WWW.SCHMALZ.COM/10.01.01.10352)

1

Flat suction cup (round)

## PFYN 25 NBR-CO-55 G1/8-IG



Art.-Nr.: 10.01.01.10352



### Technical data

Suction cup material	Nitrile rubber NBR-conductive
Material hardness [Shore A]	55.0 Shore A
Hose inner diameter (recom.) d	4.0 mm
Workpiece radius min. (convex)	25.0 mm
Suction force (-600mbar)	26.50 N
Weight	8.50 g
Volume	1.300 cm <sup>3</sup>
Size	25.00
Number of folds	0.0
Product family	PFYN

Note: Suction force: The suction force values are theoretical values at -0.6 bar vacuum and a dry, smooth and even workpiece surface – they are specified without safety factors. Hose inner diameter: The recommended hose diameter refers to a hose length of approx. 2 m



### Ordering Data Accessories 10.01.01.10352

Typ	Item number
Suction cup cover   SU 25	10.01.01.13584



### Ordering Data Spare Parts 10.01.01.10352

Typ	Item number
Suction Cup Connection Nipples   SA-NIP N007 G1/8-IG DN350	10.01.01.03523



### Ordering Data Wear Parts 10.01.01.10352

Typ	Item number
Flat suction cup (round)   PFG 25 NBR-CO-55 N007	10.01.01.10338



[WWW.SCHMALZ.COM/10.01.01.10352](http://WWW.SCHMALZ.COM/10.01.01.10352)