

Art.-Nr.: 10.01.01.10345



Technical data

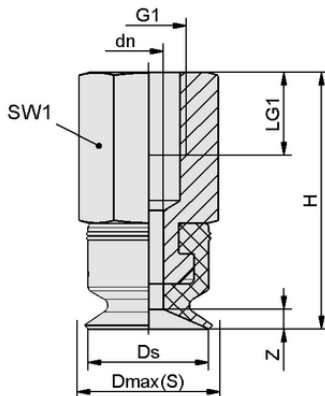
Suction cup material	Nitrile rubber NBR-conductive
Material hardness [Shore A]	55.0 Shore A
Size	5.00
Vacuum connection	M5-F
Nipple material	Aluminum

PFYN 5 NBR-CO-55 M5-IG

Suction cup PFYN (elastomer part + connection nipple) is delivered unassembled (diameters of 120 mm and more are assembled). The delivery consists of:

- Suction cup of type PFG – elastomer part, available in various diameters and materials
- Connection nipple of type SA-NIP – available with various threads

Available spare parts: suction cup PFG, connection nipple SA-NIP



Design data

Height H	16.50 mm
Nominal diameter dn	1.50 mm
Thread G1	M5-F
Thread length LG1	5.5 mm
Key width SW1	8.0 mm
Spring stroke Z	0.9 mm
Diameter Ds	5.0 mm
Diameter Dmax(S)	5.5 mm

Note: Acceptable dimensional tolerances for elastomer parts concerning to DIN ISO 3302-1 M3

Design data PFYN 5 NBR-CO-55 M5-IG



Flat suction cup (round)

PFYN 5 NBR-CO-55 M5-IG



Art.-Nr.: 10.01.01.10345



Technical data

Suction cup material	Nitrile rubber NBR-conductive
Material hardness [Shore A]	55.0 Shore A
Hose inner diameter (recom.) d	2.0 mm
Workpiece radius min. (convex)	7.5 mm
Suction force (-600mbar)	0.75 N
Weight	1.40 g
Volume	0.005 cm ³
Size	5.00
Number of folds	0.0
Product family	PFYN

Note: Suction force: The suction force values are theoretical values at -0.6 bar vacuum and a dry, smooth and even workpiece surface – they are specified without safety factors. Hose inner diameter: The recommended hose diameter refers to a hose length of approx. 2 m



Ordering Data Spare Parts 10.01.01.10345

Typ	Item number
Suction Cup Connection Nipples	SA-NIP N004 M5-IG DN200 10.01.01.03518



Ordering Data Wear Parts 10.01.01.10345

Typ	Item number
Flat suction cup (round)	PFG 5 NBR-CO-55 N004 10.01.01.10064



WWW.SCHMALZ.COM/10.01.01.10345