

Flat suction cup (round)

PFYN 50 FPM-65 G1/8-AG



Art.-Nr.: 10.01.01.00189



Technical data

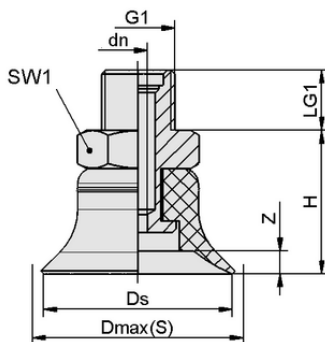
Suction cup material	Fluorine rubber FPM
Material hardness [Shore A]	65.0 Shore A
Size	50.00
Vacuum connection	G 1/8"-M
Nipple material	Aluminum
Material property	non-marking

PFYN 50 FPM-65 G1/8-AG

Suction cup PFYN (elastomer part + connection nipple) is delivered unassembled (diameters of 120 mm and more are assembled). The delivery consists of:

- Suction cup of type PFG – elastomer part, available in various diameters and materials
- Connection nipple of type SA-NIP – available with various threads

Available spare parts: suction cup PFG, connection nipple SA-NIP



Design data

Height H	20.00 mm
Nominal diameter dn	2.40 mm
Thread G1	G 1/8"-M
Thread length LG1	8.0 mm
Key width SW1	14.0 mm
Spring stroke Z	4.0 mm
Diameter Ds	50.0 mm
Diameter Dmax(S)	53.5 mm

Note: Acceptable dimensional tolerances for elastomer parts concerning to DIN ISO 3302-1 M3

Design data PFYN 50 FPM-65 G1/8-AG



WWW.SCHMALZ.COM/10.01.01.00189

1

Art.-Nr.: 10.01.01.00189

**Technical data**

Suction cup material	Fluorine rubber FPM
Material hardness [Shore A]	65.0 Shore A
Hose inner diameter (recom.) d	4.0 mm
Workpiece radius min. (convex)	75.0 mm
Suction force (-600mbar)	91.00 N
Weight	18.40 g
Volume	7.000 cm ³
Size	50.00
Number of folds	0.0
Product family	PFYN

Note: Suction force: The suction force values are theoretical values at -0.6 bar vacuum and a dry, smooth and even workpiece surface – they are specified without safety factors. Hose inner diameter: The recommended hose diameter refers to a hose length of approx. 2 m

**Ordering Data Accessories 10.01.01.00189**

Typ		Item number
Suction cup cover	SU 50	10.01.01.12837

**Ordering Data Spare Parts 10.01.01.00189**

Typ		Item number
Suction Cup Connection Nipples	SA-NIP N008 G1/8-AG DN350	10.01.01.03532

**Ordering Data Wear Parts 10.01.01.00189**

Typ		Item number
Flat suction cup (round)	PFG 50 FPM-65 N008	10.01.01.00077

